



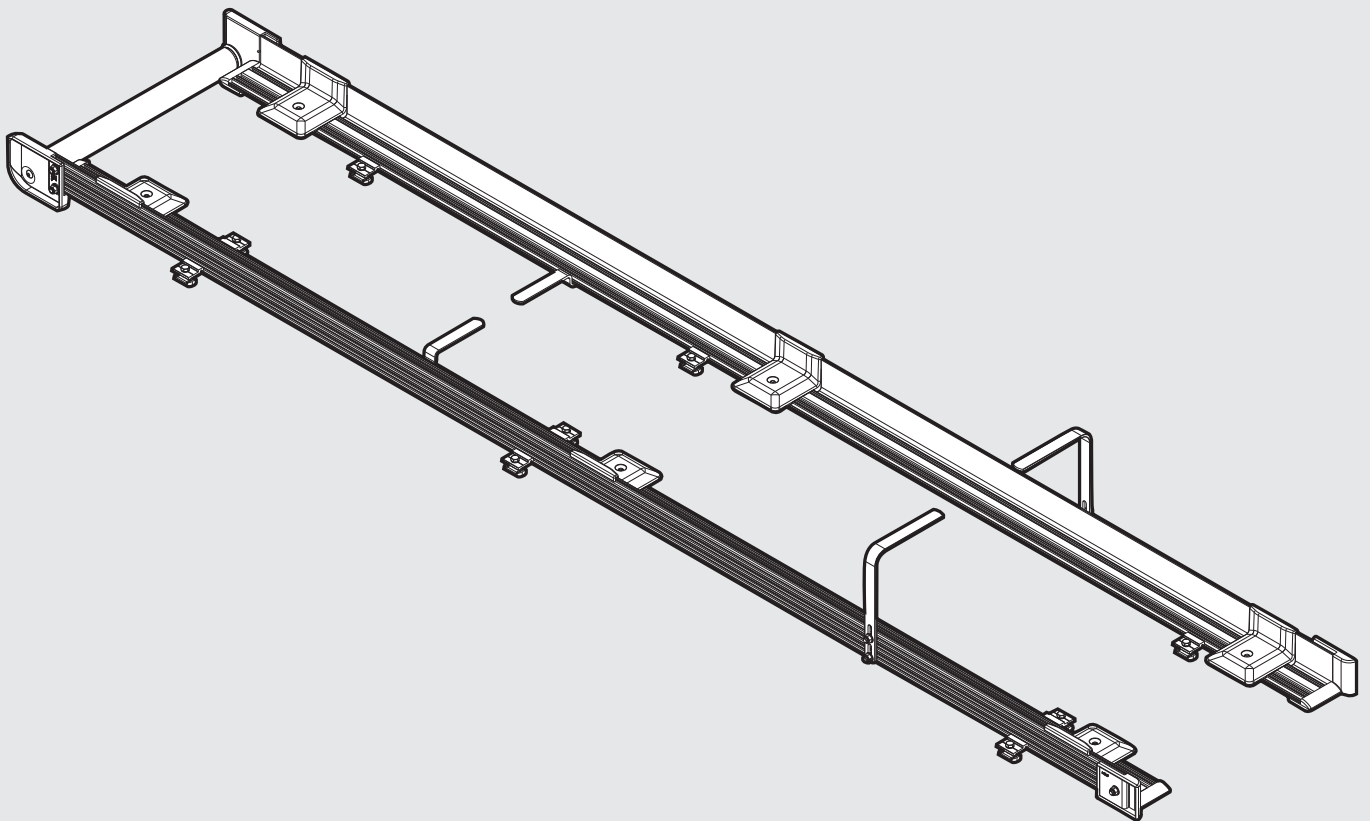
RHINO-RACK®

Multi-slide Ladder Rack System

Important:

1. Check the Rhino-Rack website to ensure you have the latest issue of these instructions.
2. Please refer to your fitting instruction to ensure that the roof racks are installed in the correct locations.
3. Check the contents of kit before commencing fitment and report any discrepancies.
4. Place these instructions in the vehicle's glove box after installation is complete.
5. These instructions must be followed for warranty to be upheld.

Fit Time: 30 min



Instructions

Carrying Capacity

System load capacity:

Check your vehicle owners hand book for vehicle maximum carrying capacity. Please ensure you use the vehicle manufactures maximum roof allowance if it is lower than the figure listed in this instruction.

Load must be evenly distributed over the system.

ON ROAD CARGO ALLOWANCE (OR)	OFF ROAD CARGO ALLOWANCE (OFR)	VEHICLE ROOF LOAD LIMIT (VLL)	SYSTEM WEIGHT (SW)
$(OR) = (VLL) - (SW)$	$(OFR) = \frac{(OR)}{1.5}$	100kg / 220lb (CHECK VEHICLE OWNERS HANDBOOK FOR SPECIFIC FIGURE).	MS15M - 6.98kg/15.39lbs MS26M - 13.77kg/30.35lbs MS30M - 14.37kg/31.6lbs MS35M - 15.11kg/33.3lbs MS40M - 15.86kg/34.96lbs

Torque Settings

Unless stated otherwise in these instructions, all fasteners should be set to the following torque settings - M6: 4-5Nm (3-4lbs/ft), M8: 8-10Nm (6-7.5lbs/ft) and M10: 16-18Nm (12-13lbs/ft).

Warning

- Check part number/ or kit is correct for use with your vehicle.
- Do not attempt to fit the rack system to your vehicle unless you fully understand these fitting instructions. Please direct any questions regarding fitting to the dealer from where the roof racks were purchased.
- Although the system is tested and approved to AS1235-2000 / ISO 11154, off-road conditions can be much more rigorous. Extreme care must be taken in off road conditions.
- Roof racks must be removed when vehicle is put through an automatic car wash.
- With utility vehicles, the cabin and the canopy move independently. Roofracks and vehicle can be damaged if the item transported is rigidly fixed at points on both the cabin and canopy. Instead, rigidly fix to either the cabin roofracks or the canopy roofracks.
- Always ensure you fasten your load securely.
- Use only non-stretch fastening ropes or straps to attach cargo to your load.
- Clean vehicle/ rails before fitting roof rack.

In service maintenance checks

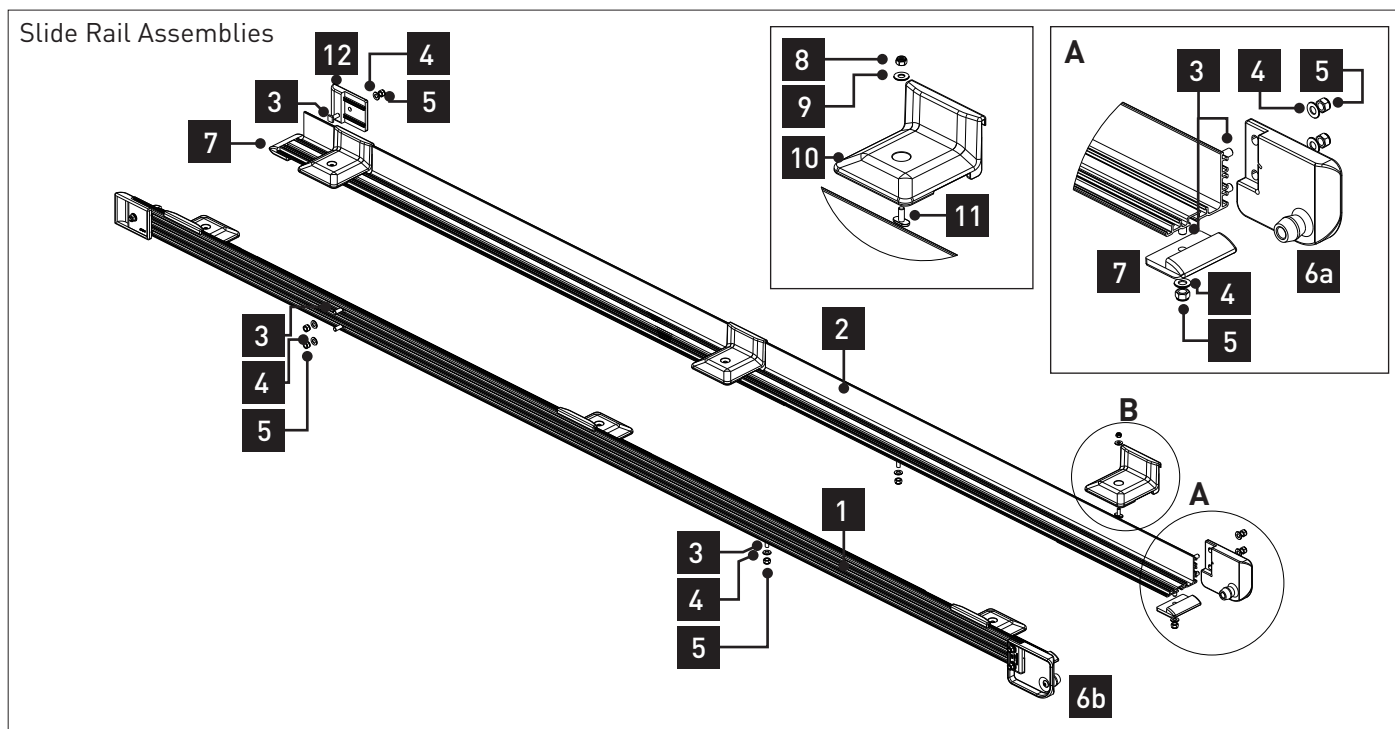
- All bolt connections should be checked after driving a short distance when you first install your roof racks.
- All bolted connections should be checked again at regular intervals (weekly is recommended, depending on road conditions, usage, loads and distances travelled).
- All bolted connections should be checked each time they are re-fitted.

Note for Dealers and Fitters

It is your responsibility to ensure these fitting instructions are given to the end user or client. These instructions remain the property of Rhino-Rack Australia Pty. Ltd. and may not be used or changed for any other purpose than intended.

Instructions

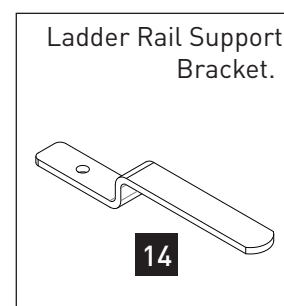
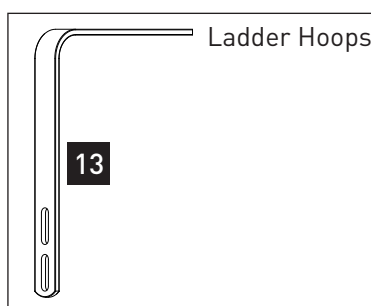
Parts List



Item	Slide Rail Assemblies	Qty
1	Assembled slide rail (left)	1
2	Assembled slide rail (right)	1
3	M8 x 20mm T-bolt	16
4	M8 x 17mm flat washer	16
5	M8 nyloc nut	16
6a	Roller moulding (right)	1

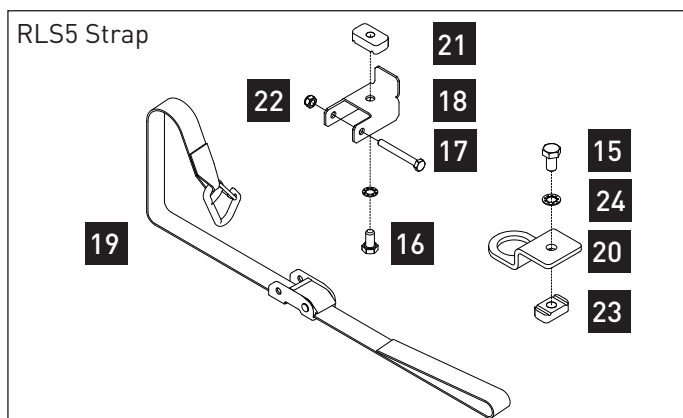
6b	Roller moulding (left)	1
7	Guide plate slide ends	4
8	M6 nyloc nut	6
9	M6 x 16mm flat washer	6
10	Ladder slide	6
11	M6 x 15mm T-bolt	6
12	Side guide plate	2

Item	Ladder Hoops	Qty
13	Ladder hoop bracket	2



Item	Ladder Rail Supports	Qty
14	Ladder rail support brackets	2

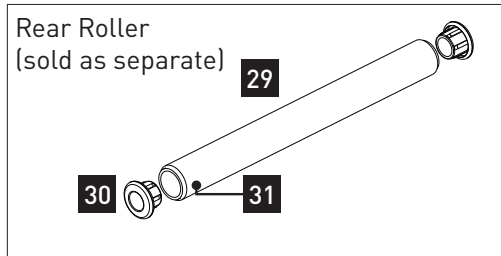
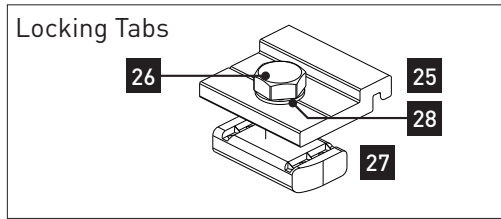
Item	Slide Rail Assemblies	Qty
15	M10 hex screw	1
16	M8 x 16mm hex screw	1
17	M6 x 50mm hex bolt	1
18	U-section strap bracket	1
19	Camlock strap + snap hook	1
20	RLS5 snap hook bracket	1
21	M8 channel nut	
22	M6 nyloc nut	
23	M10 channel nut	
24	M10 shakeproof	



Instructions

Item	Locking Tabs (x12)	Qty
25	M8 locking tab	1
26	M8 x 25mm hex head bolt	1
27	M8 channel nut	1
28	M8 spring washer	1

Item	Rear Roller	Qty
29	Roller sleeve (LR470 or LR680)	1
30	Roller bushing	2
31	Rubber tube	1



Tools Required:

10 & 13mm
Spanner or
socket wrench

Tape Measure

Installation Steps

i **Required for the MS15M only.**

Front ONLY
Using the M8 x 20 T Bolts [3], M8 x 17 mm Flat washers [4] and M8 Nyloc nuts [5], secure the Slide ends [7] and Slide guide plates [12] to each Slide rail [2] as shown.

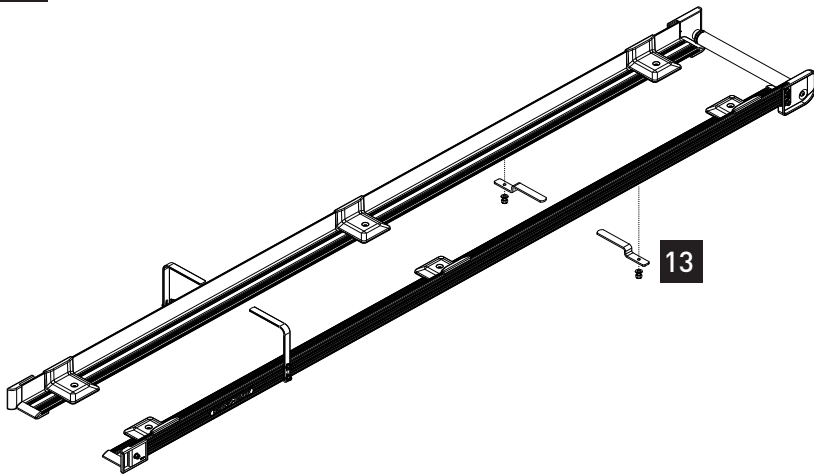
Securely tighten T-Bolts with a 13mm Socket.

A Finger tighten only at this stage. [3] [4] [5] pre installed on rail.

B [29] + [30] will be pre assembled.

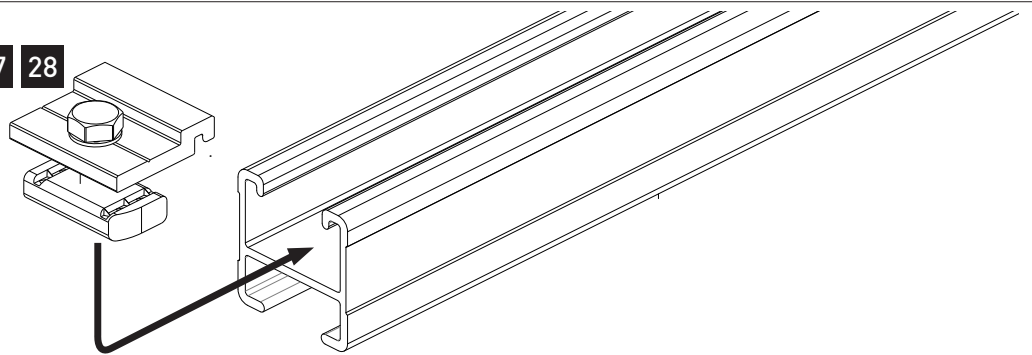
Instructions

C Finger tighten only at this stage. **3 4 5** pre installed on rail.



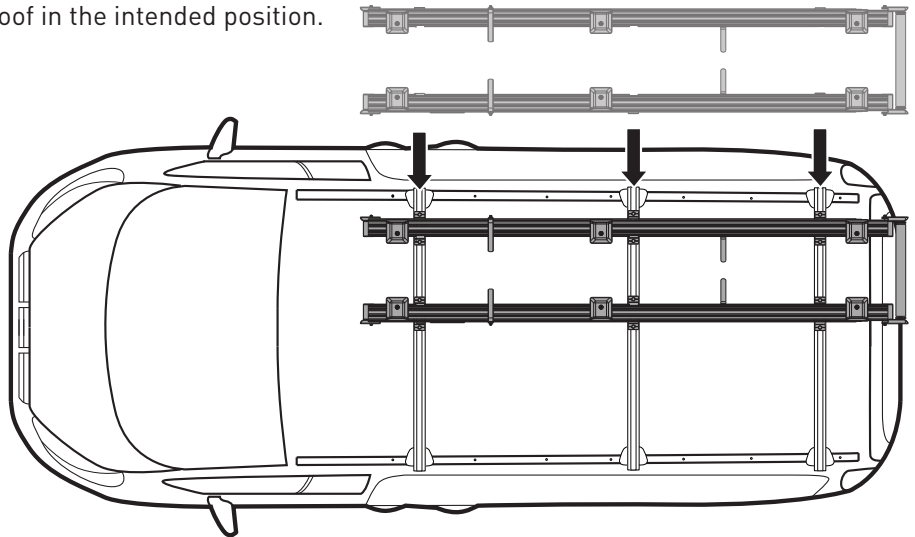
D **25 26 27 28**

4x Locking tabs per crossbar

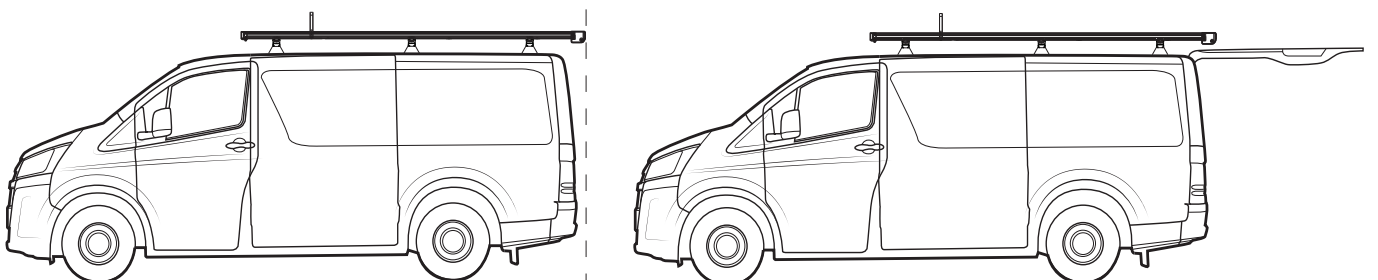


Note: For vortex crossbar fitments. Turn to page 8.

E Place the ladder rack onto the roof in the intended position.

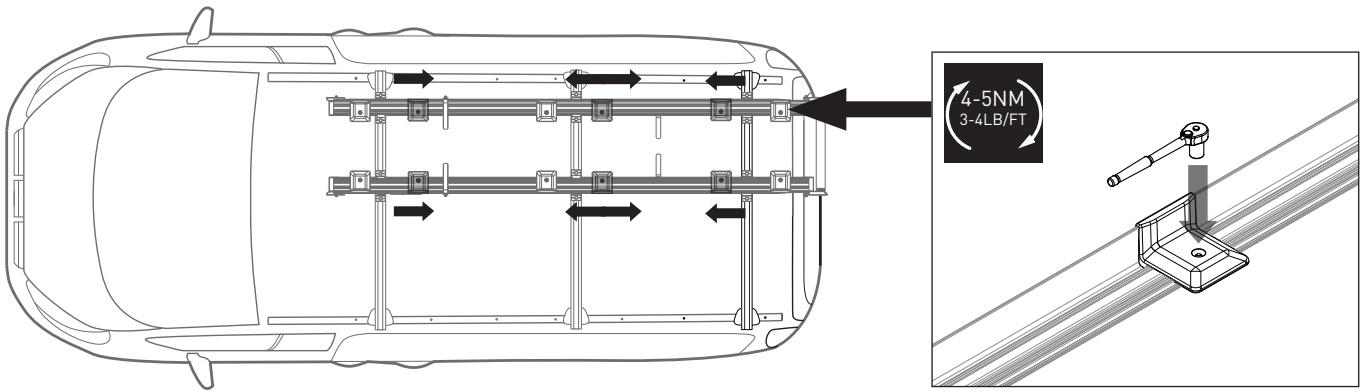


Ensure the ladder rack clears the rear of the vehicle if possible, but does not contact the rear door.



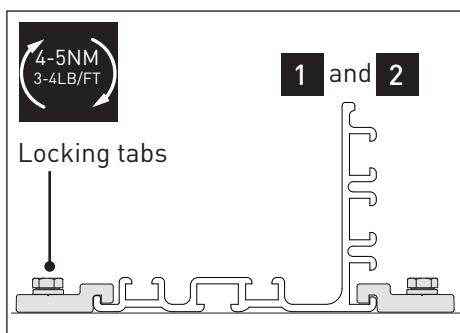
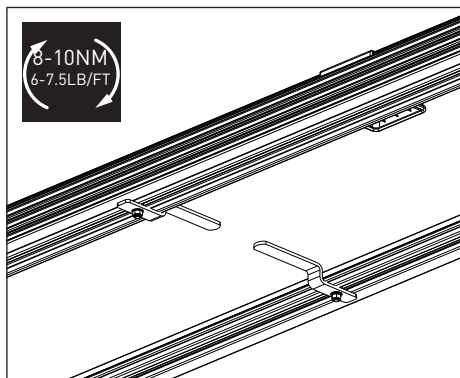
Instructions

F Move the ladder slide guides along the rails to support your ladder along its entire length. **Do not** position the slides directly above a crossbar. Tighten in place.

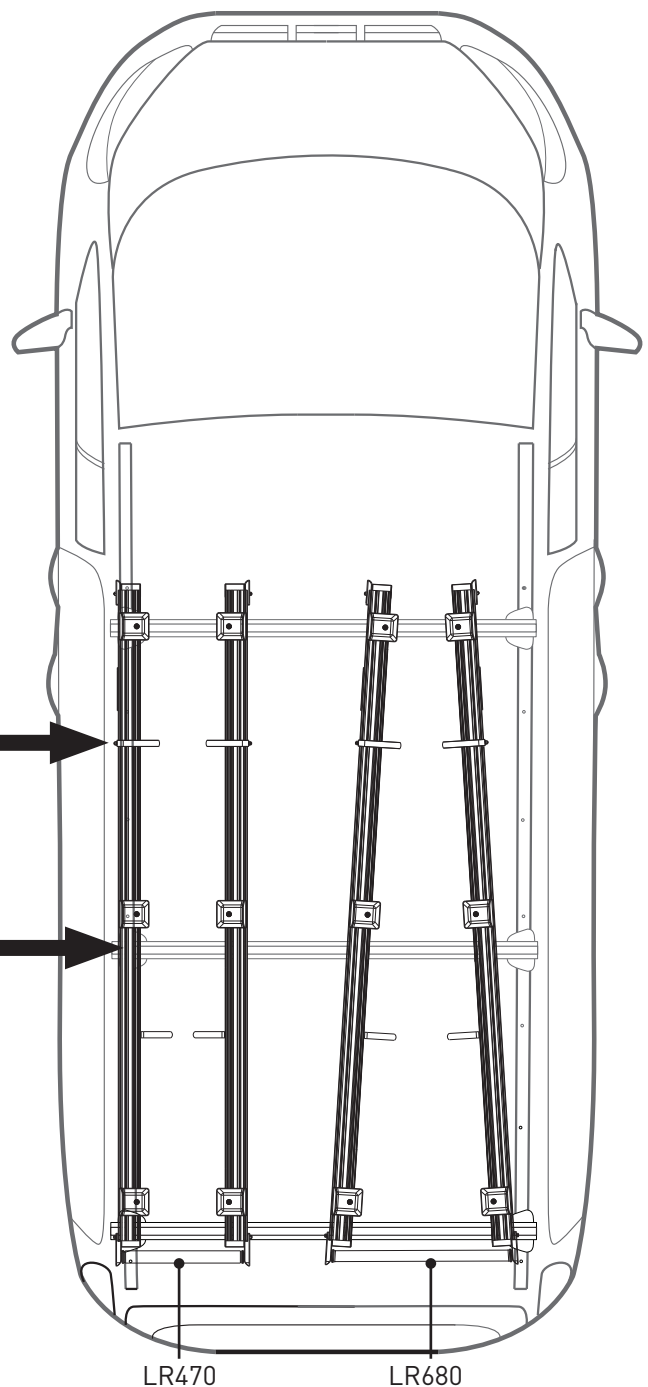
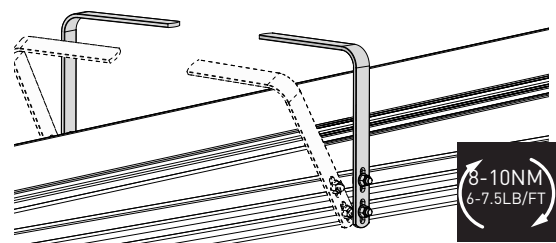


G

NOTE: Hoop brackets must be no more than 450mm from the Front of the Ladder Rail.



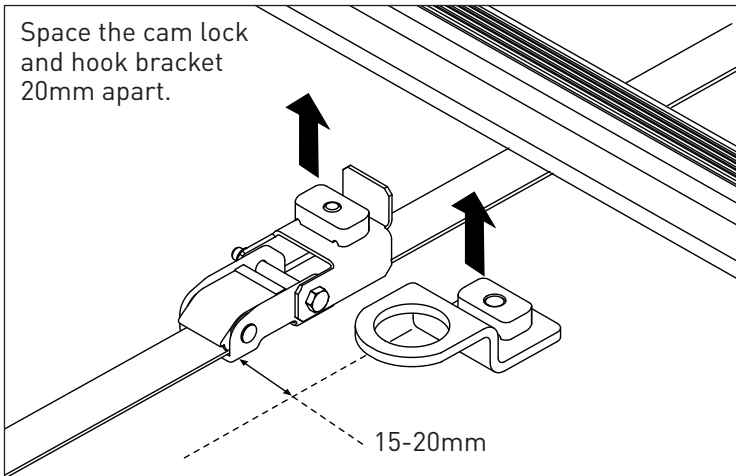
Adjust the Ladder Restraining Brackets so they are no larger than 20mm above the ladder. They may need to be angled forward for smaller ladders.



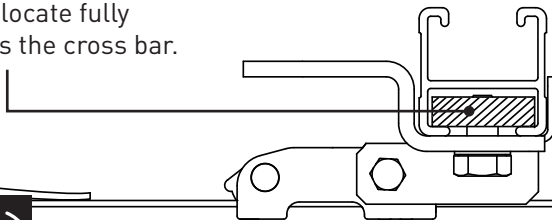
Instructions

Ha

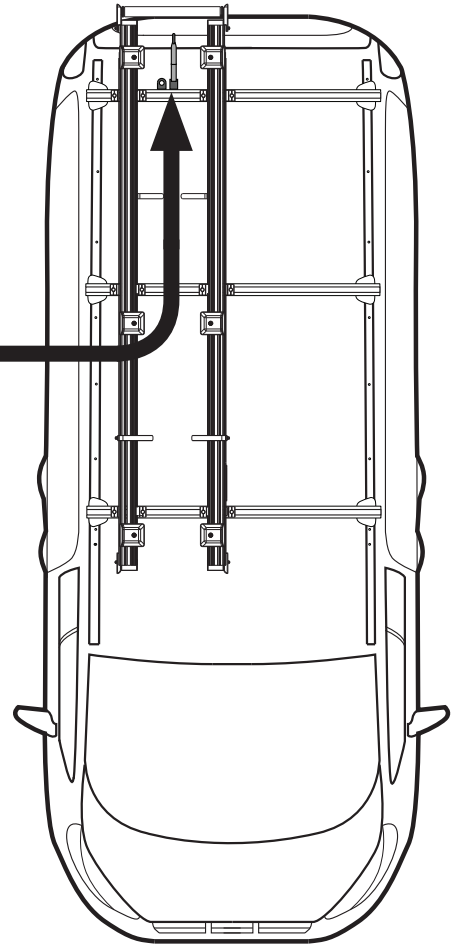
Space the cam lock and hook bracket 20mm apart.



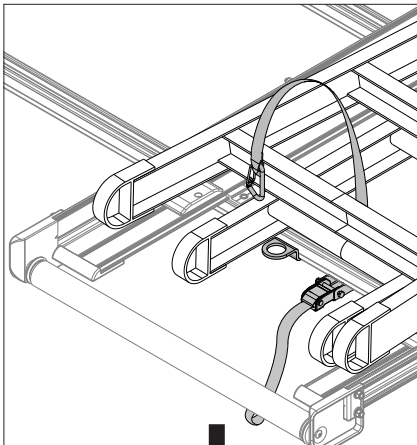
Both Channel Nuts must locate fully across the cross bar.



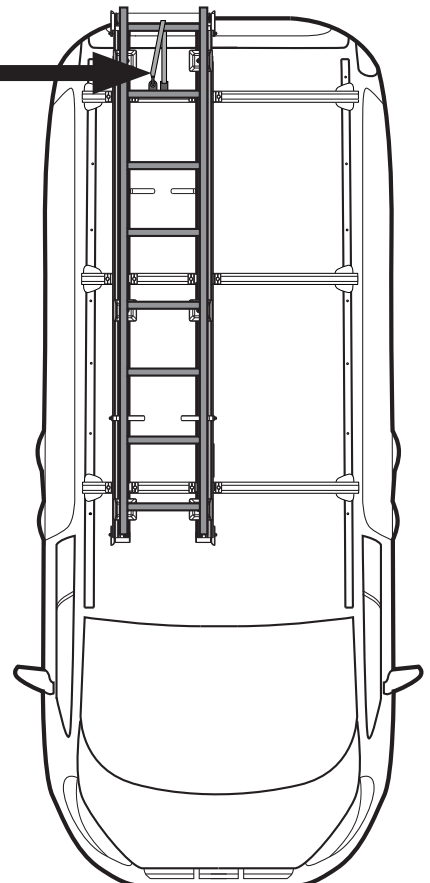
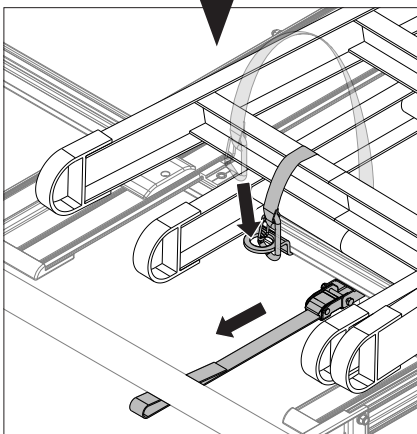
8-10NM
6-7.5LB/FT



Hb



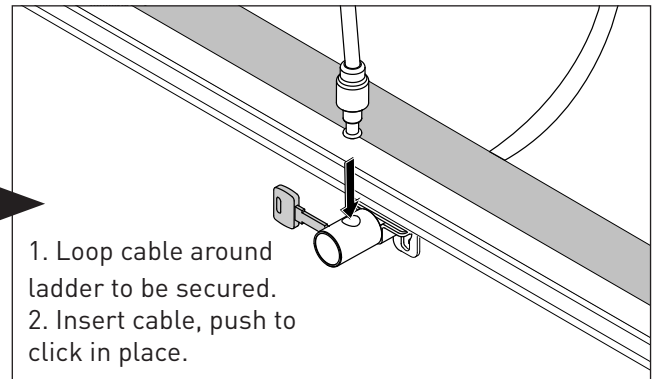
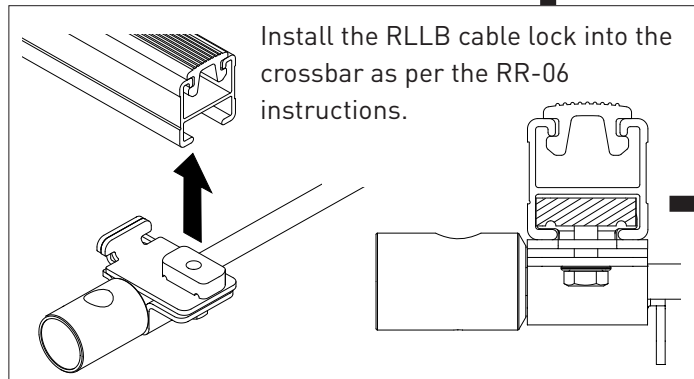
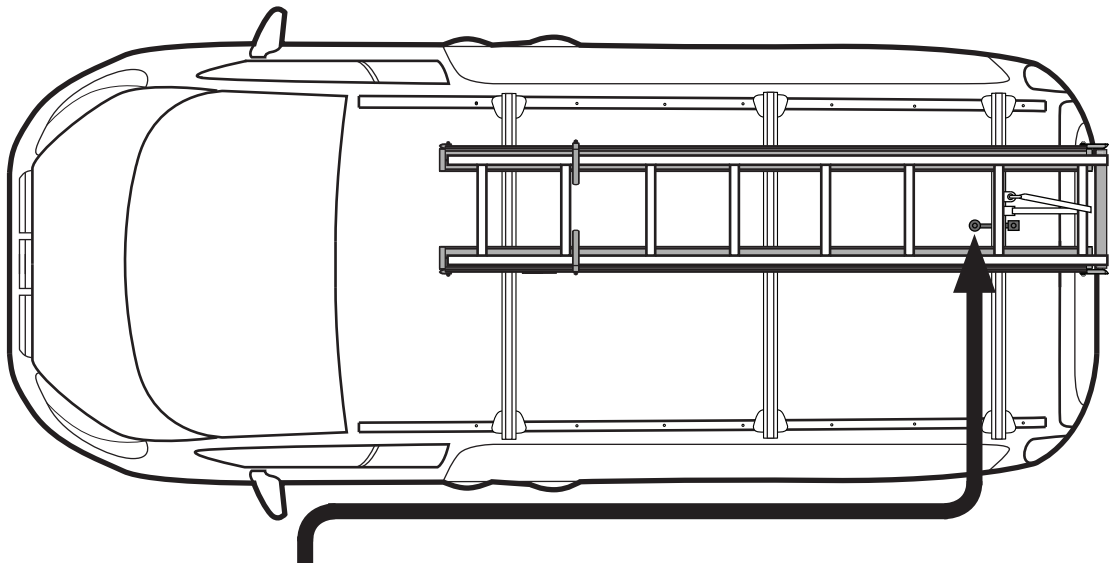
Wrap around ladder with strap. Pull tight to lock ladder in place.



Instructions

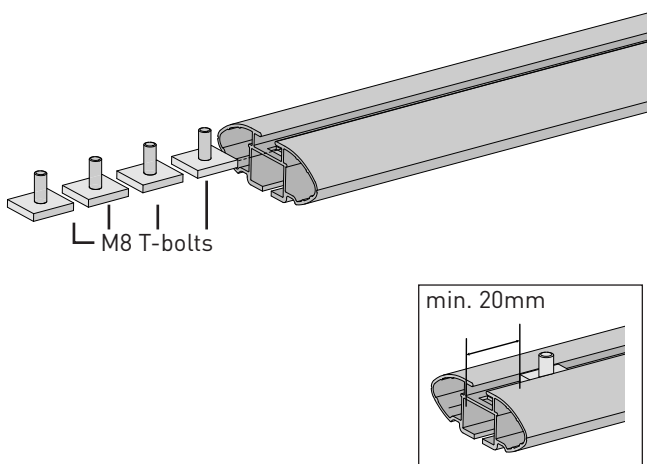
Note

RLLB cable lock can be installed (sold as separate). Refer RR-06 RLLB instructions for installation.



VA Crossbar Note

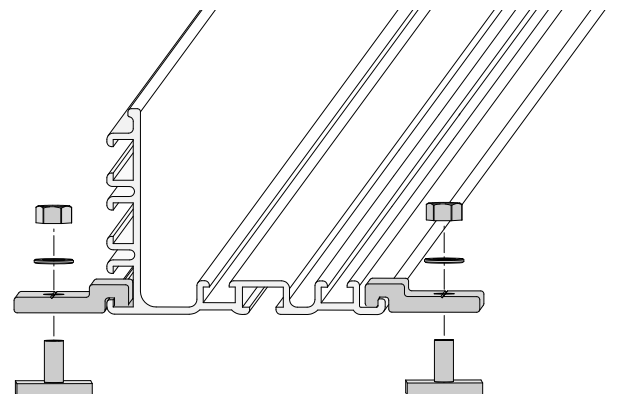
SUB0835 (sold separate) is required to fit the ladder rack to VA crossbars. Remove both front and rear rubber strips from Roof Racks. Take 4x M8 T bolt from SUB0755 and slide into roof rack channel of the crossbar. Front crossbar - x4 M8 T-bolt
Middle crossbar - x4 M8 T-bolt
Rear crossbar - x4 M8 T-bolt
NOTE: Minimum distance of T-bolt from edge is 20mm.



Leaving the Sliding Ladder Rack System in place, take 2x Locking Tab and secure on either side of Ladder Rail. Securely tighten with a 10mm Socket.

Repeat for each side and each bar.

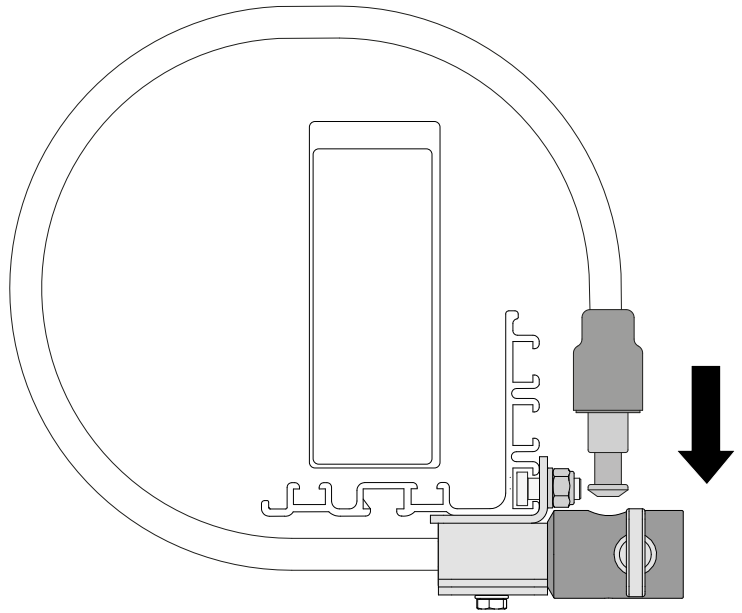
Qty: 12x Locking Tab should be used.



Instructions

VA Crossbar Note

If VA crossbars are in use, RLLR cable lock can be installed (sold separately). Refer to RLLR RR-01 instructions for installation.



VA Crossbar Note

With VA crossbars installed, SLS5 cable lock can be installed (sold separately). Refer to SLS5 RS99 instructions for installation.

