



RHINO-RACK®

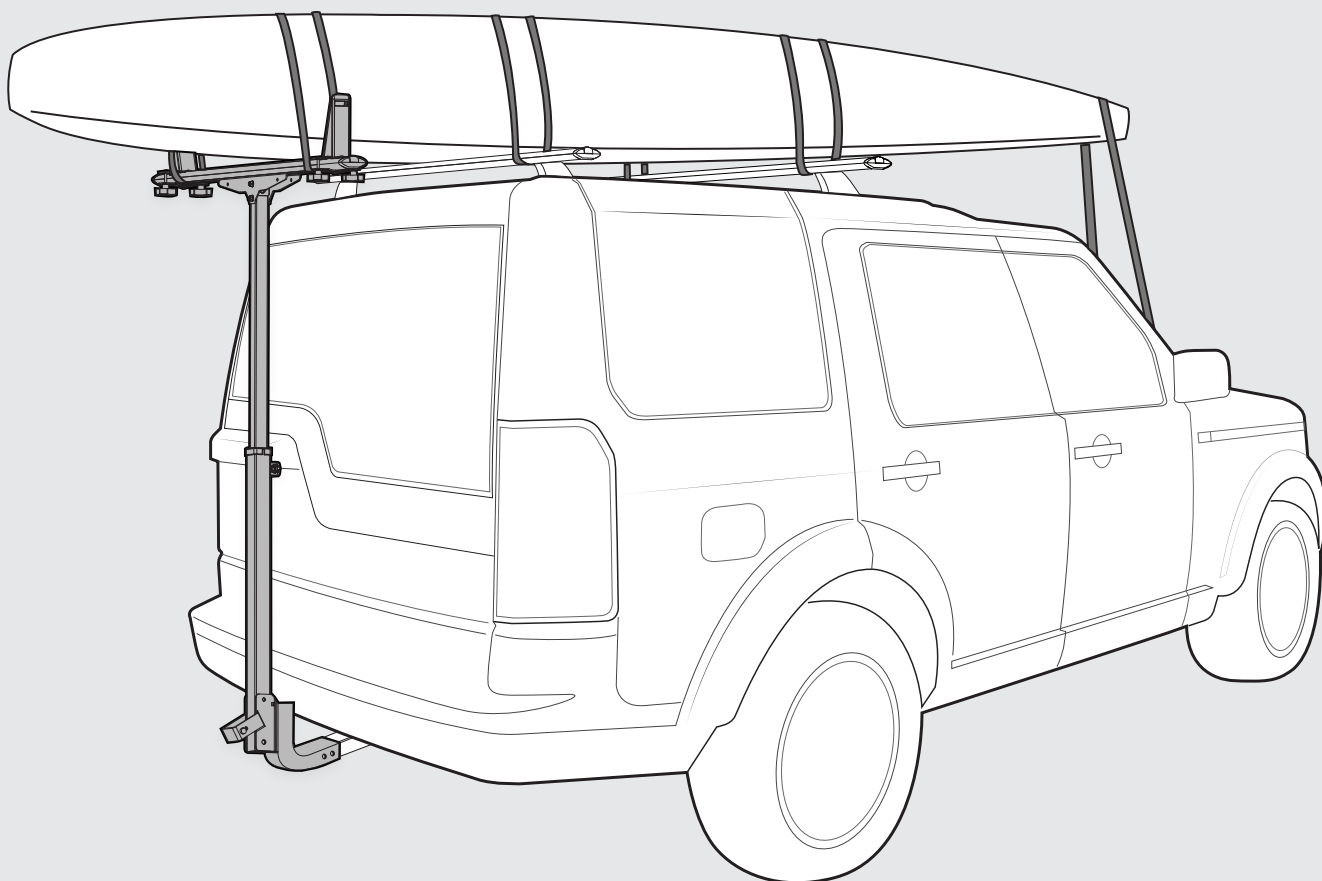
Kayak T-Load 2" Hitch Mount

RTL002

Important:

1. Check the Rhino-Rack website to ensure you have the latest issue of these instructions.
2. Please refer to your fitting instruction to ensure that the accessory is installed in the correctly.
3. Check the contents of kit before commencing fitment and report any discrepancies.
4. Place these instructions in the vehicle's glove box after installation is complete.
5. These instructions must be followed for warranty to be upheld.

Fit Time: 30 min



Rhino-Rack AUSTRALIA
22A Hanson Pl,
Eastern Creek, NSW, 2766
(02) 8846 1900
rhinorack.com.au

Rhino-Rack USA
Unit D, 2450 Airport Blvd,
Aurora, CO, 80011
877-744-6622
rhinorack.com

Rhino-Rack CANADA
19100 Airport Way
Pitt Meadows, BC V3Y OE2
rhinorack.ca

Document No: R135
Issue No: 04
Issue Date: 29/07/2021

RTL002 Instructions

Carrying Capacity

Refer to vehicle manufacturer's carrying load rating for roof bars.
Ensure that all loads are evenly distributed and that the centre of gravity is kept as low as possible.

Warning

- Do not attempt to fit the accessory to your vehicle unless you fully understand these fitting instructions. Please direct any questions regarding fitting to the dealer from where the product was purchased.
- Off-road conditions can be much more rigorous. Extreme care must be taken in off road conditions.
- Accessory must be removed when vehicle is put through an automatic car wash.
- Always ensure you fasten your load securely.

In service maintenance checks

- All bolted connections should be checked after driving a short distance when you first install your roof racks & accessories.
- All bolted connections should be checked again at regular intervals (every 1000k (621mi) is recommended, depending on road conditions, usage, loads and distances travelled). All bolted connections should be checked each time they are re-fitted.

Torque Settings

Unless stated otherwise in these instructions, all fasteners should be set to the following torque settings:

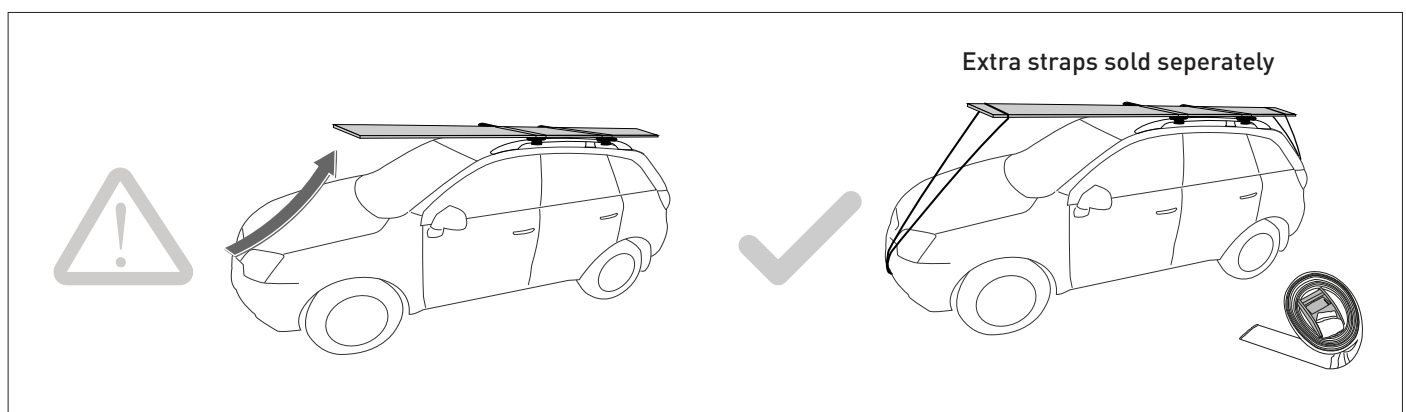
M6: 4-5Nm (3-4lbs/ft), M8: 8-10Nm (6-7.5lbs/ft) M10: 16-18Nm (12-13lbs/ft).

Sensitivity to Crosswinds, Behaviour in Curves and Braking.

Remember that the handling characteristics of your vehicle will change when transporting a load on the roof.
Exercise extreme care when transporting wind-resisting loads; special consideration must be taken into account when braking.

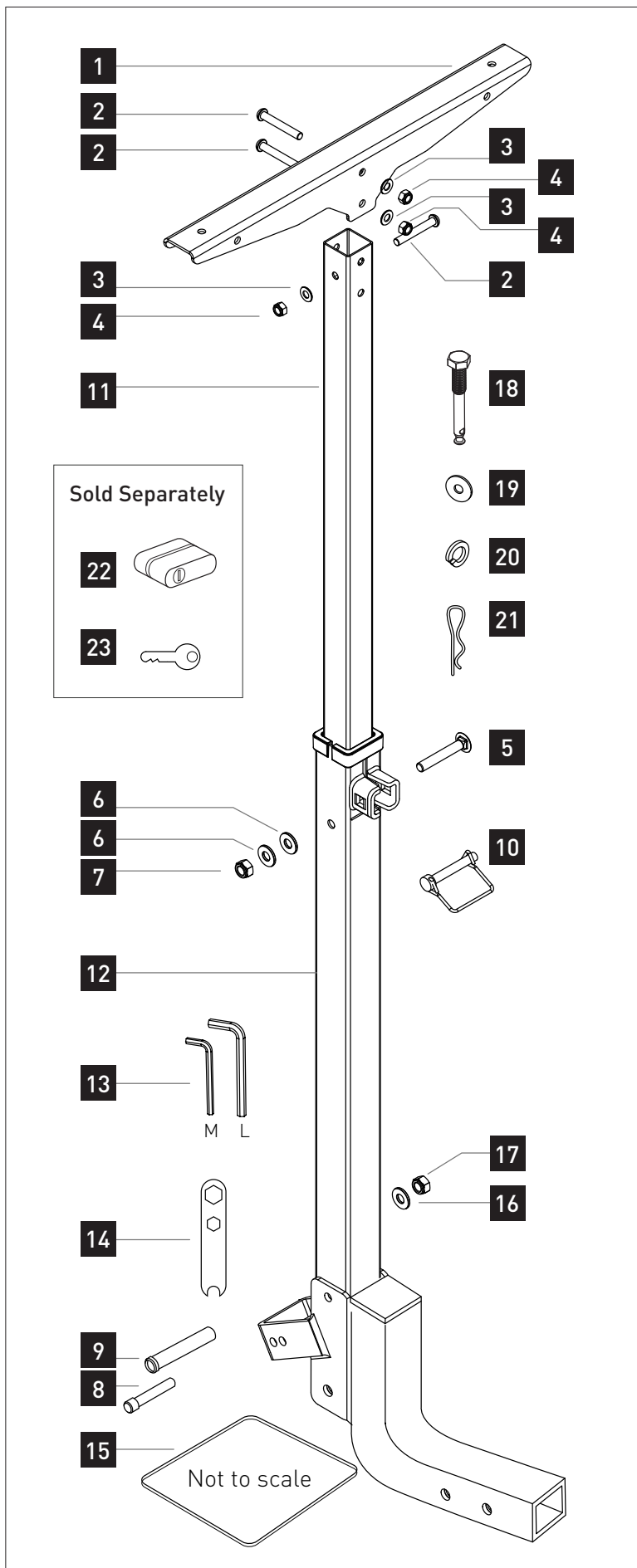
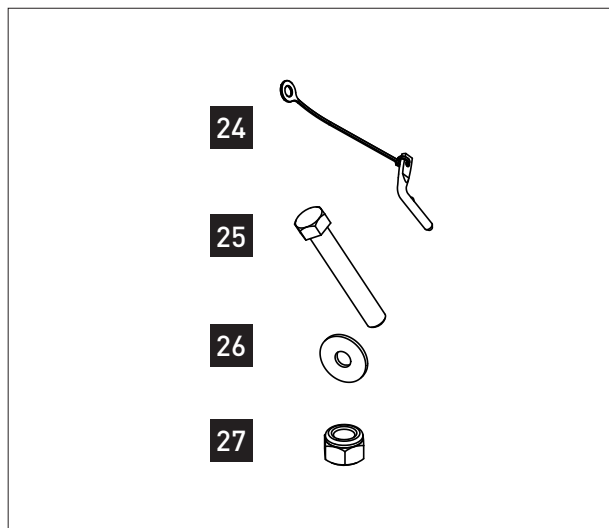
Note for Dealers and Fitters

It is your responsibility to ensure these fitting instructions are given to the end user or client. These instructions remain the property of Rhino-Rack Australia Pty. Ltd. and may not be used or changed for any other purpose than intended.

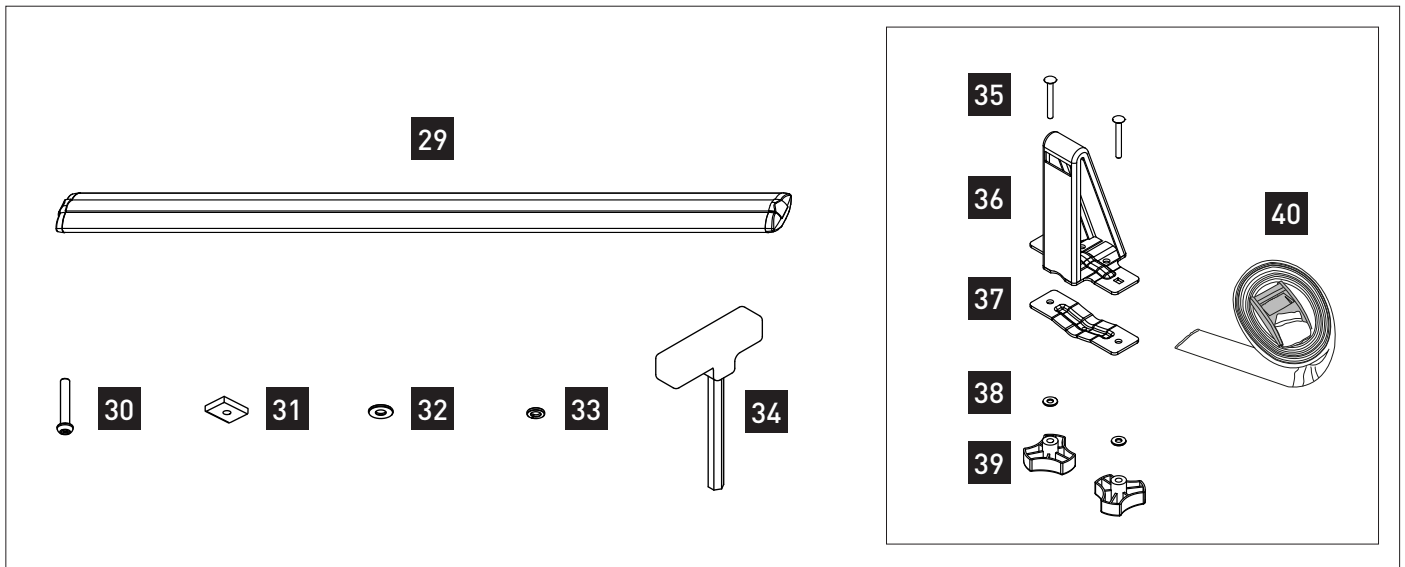


Parts List

Item	Component Name	Qty
1	Main Support	1
2	M8 Button Head Cap Screw Bolt	3
3	M8 Flat Washer	6
4	M8 Nut	3
5	M12 Button Head Cap Screw Bolt	1
6	M12 Flat Washer	2
7	M12 Nut	1
8	M10 HT Cap Screw	1
9	10mm x 55mm Rubber Sleeve	1
10	Locking Pin	1
11	Top Tube	1
12	Bottom Tube	1
13	Allen Key Set (Medium, Large)	2
14	Spanner	1
15	Protective Mat	1
16	M10 Flat Washer	2
17	M10 Nut	1
18	Hitch Bolt 1/2" - 13 x 3.25"	1
19	Flat Washer 13.5mm x 27mm	1
20	Spring Washer 1/2"	1
21	Hitch Pin R-clip	1
22	Pin Lock (Sold Separately)	1
23	Key (Sold Separately)	1
24	Locking Pin (with cable)	1
25	Hex Bolt 1/2" - 13 x 3.25"	1
26	Flat Washer 13.5mm x 27mm	2
27	Nut 1/2" - 13	1
28	Fitting Instruction	1



Parts List

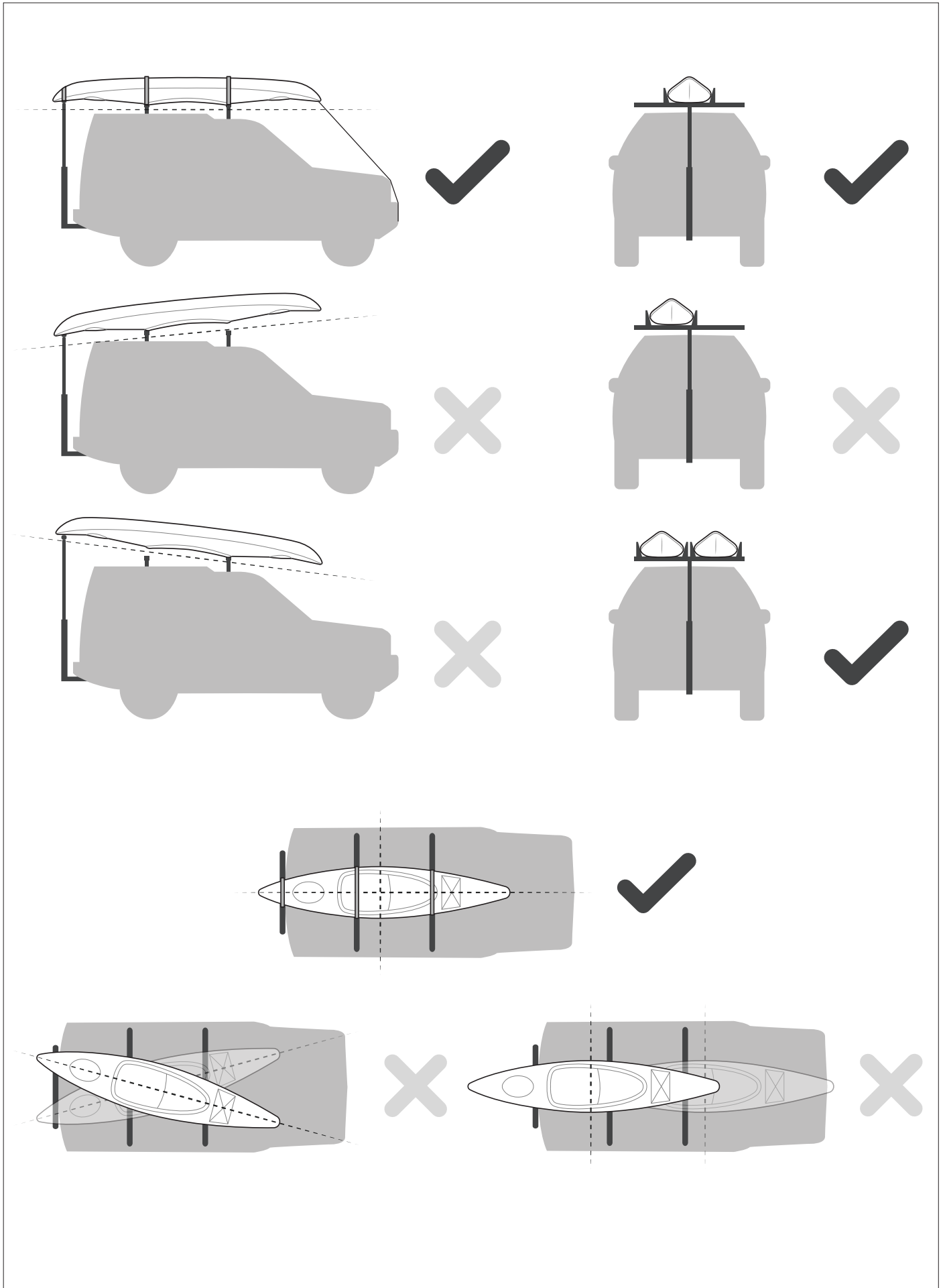


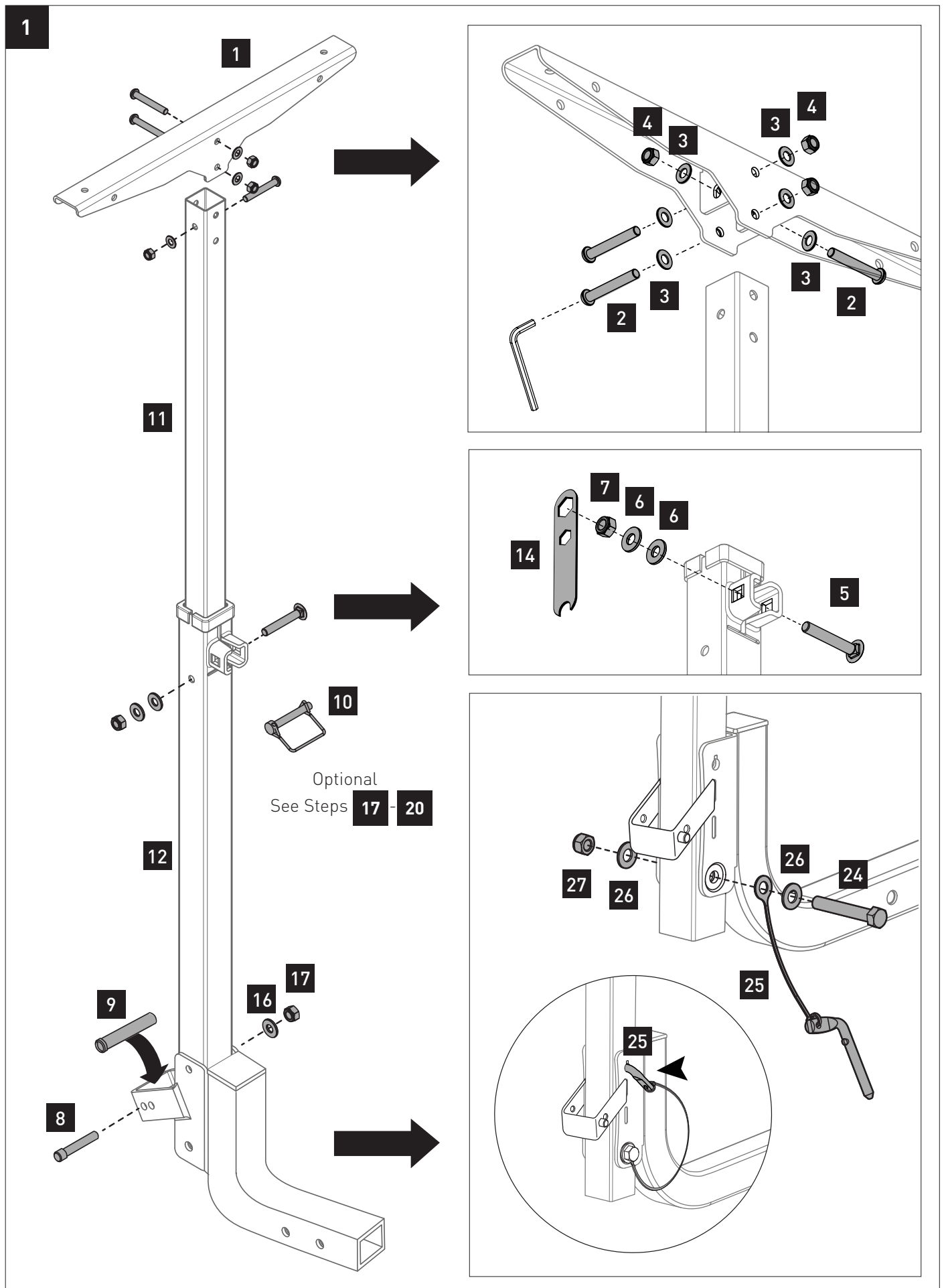
Item	Crossbar Fitting Kit	Qty
29	Aero Crossbar	1
30	M6 x 32mm Security Screw (Aero)	2
31	M6 Flat Nut (Aero)	2
32	M6 x 16mm Flat Washer	2
33	M6 Spring Washer	2
34	Security Key Short	1

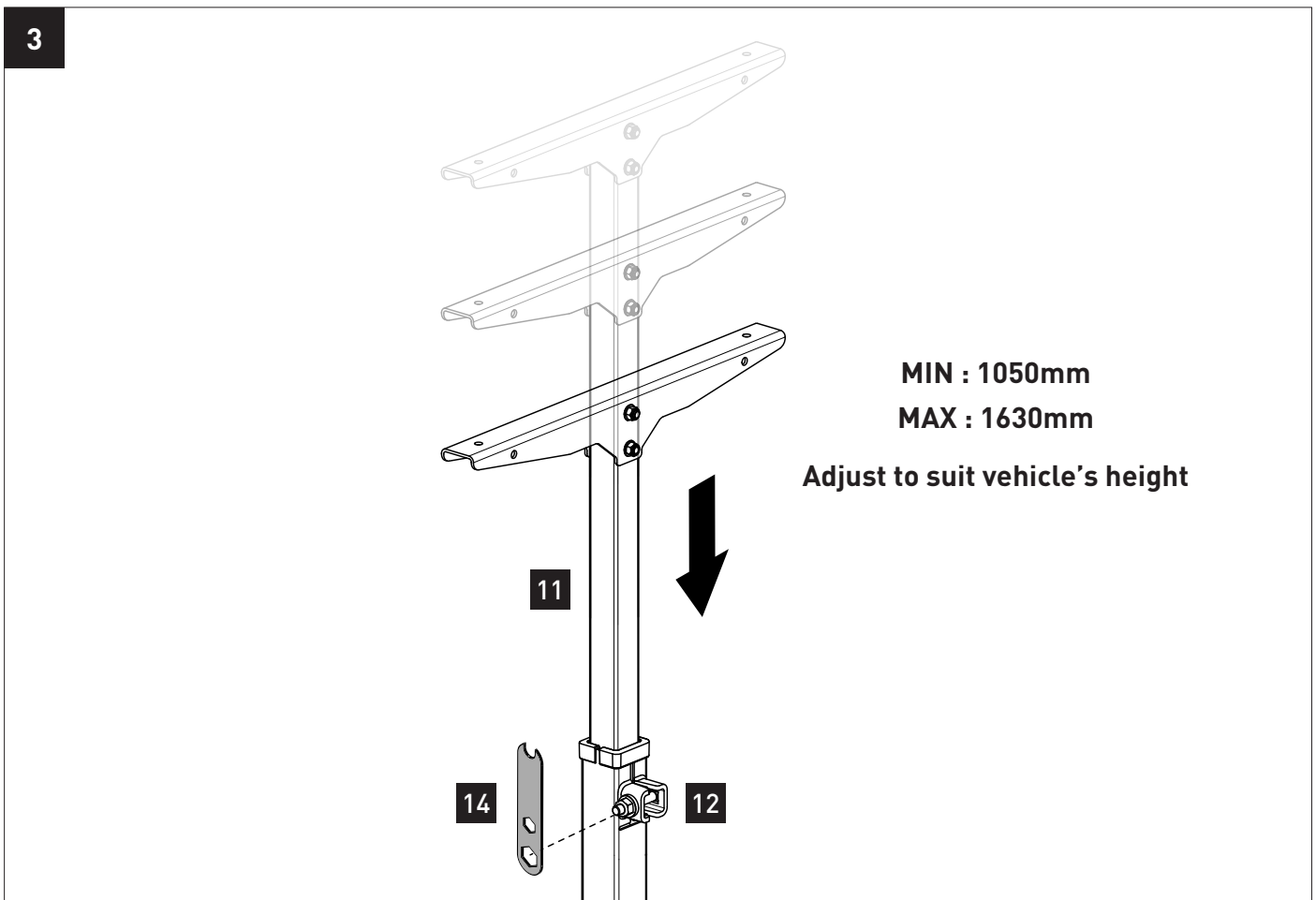
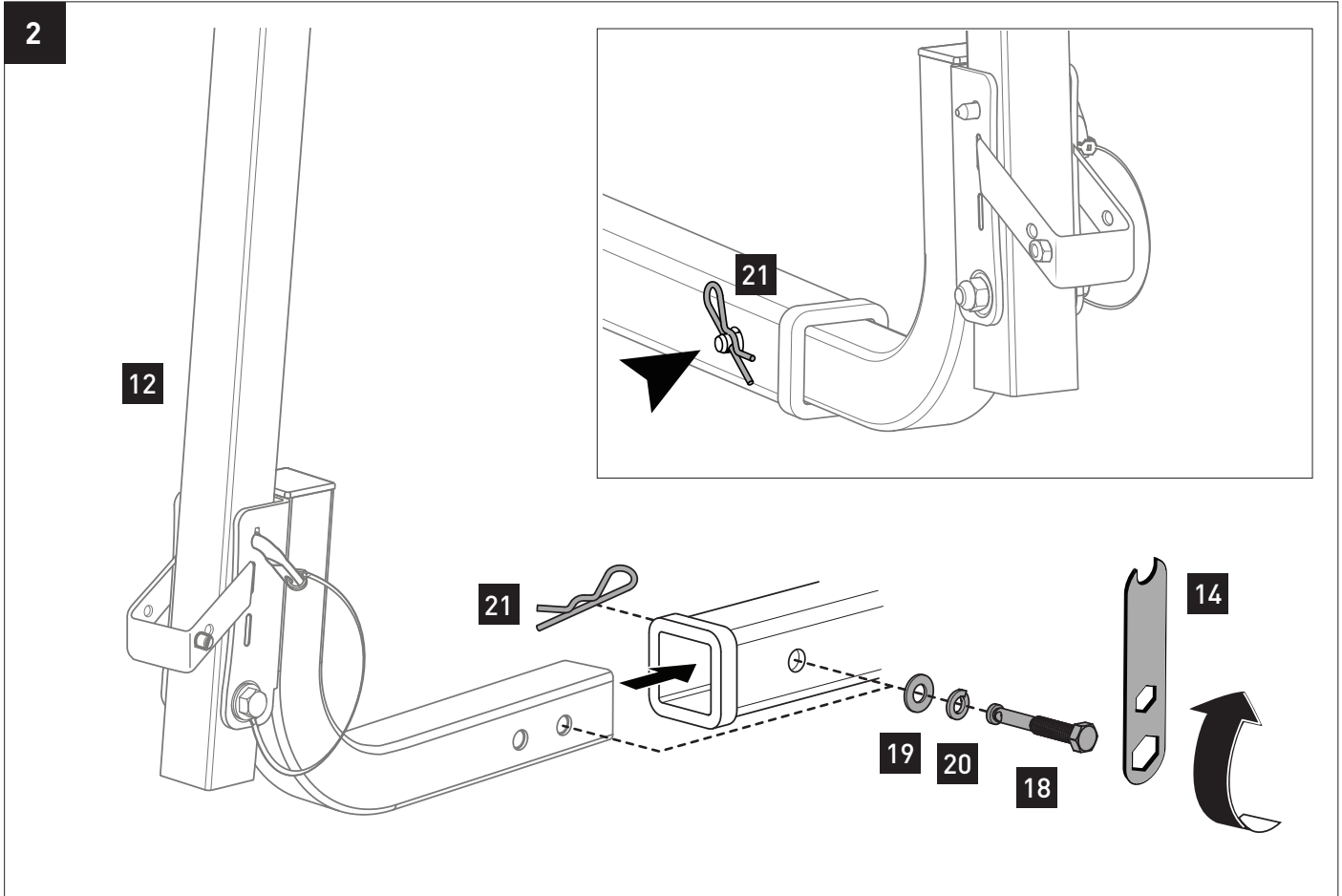
Item	RTLK	Qty
35	Cup Head Square Neck Bolt	4
36	Upper Clamp	2
37	Universal Clamp	2
38	M6 Flat Washer	4
39	Dial	4
40	Strap	1

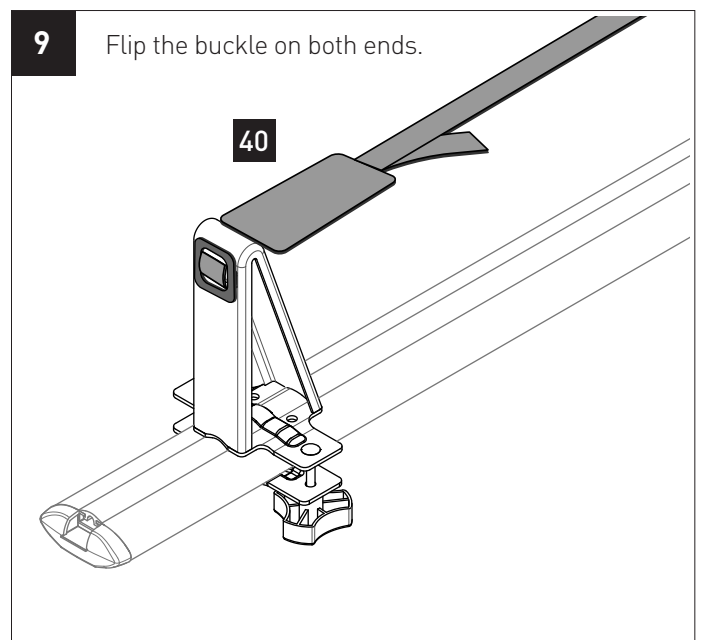
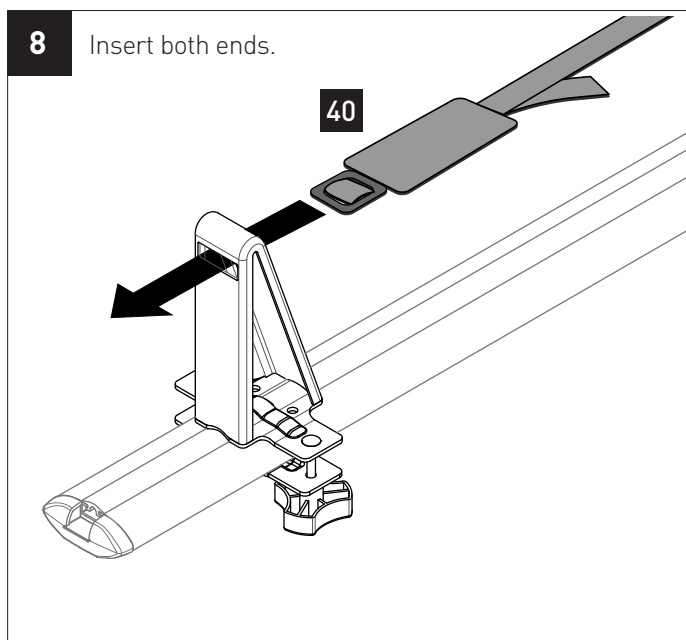
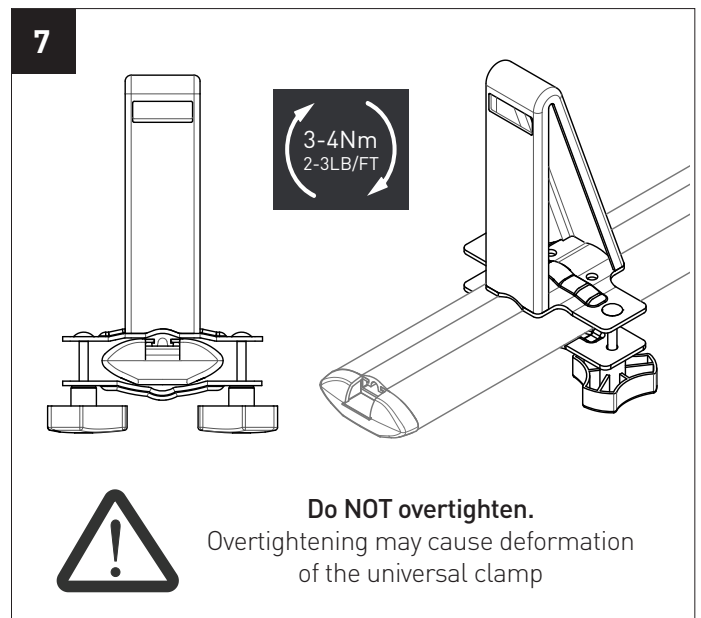
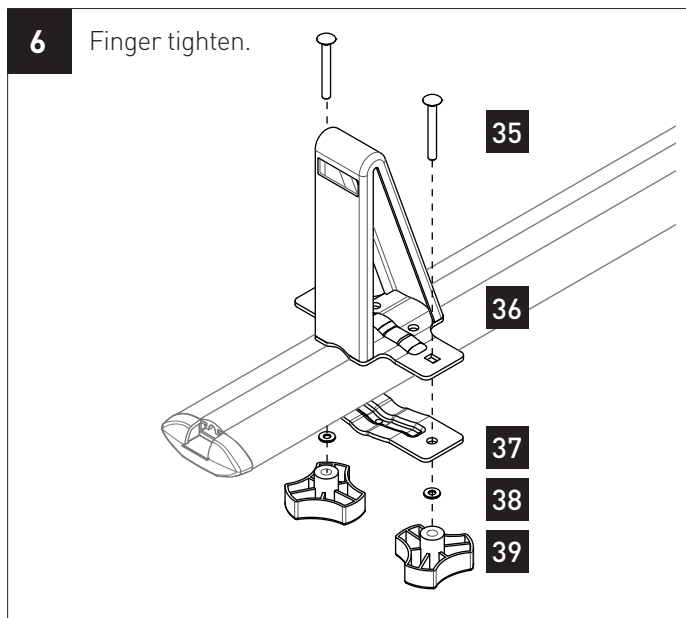
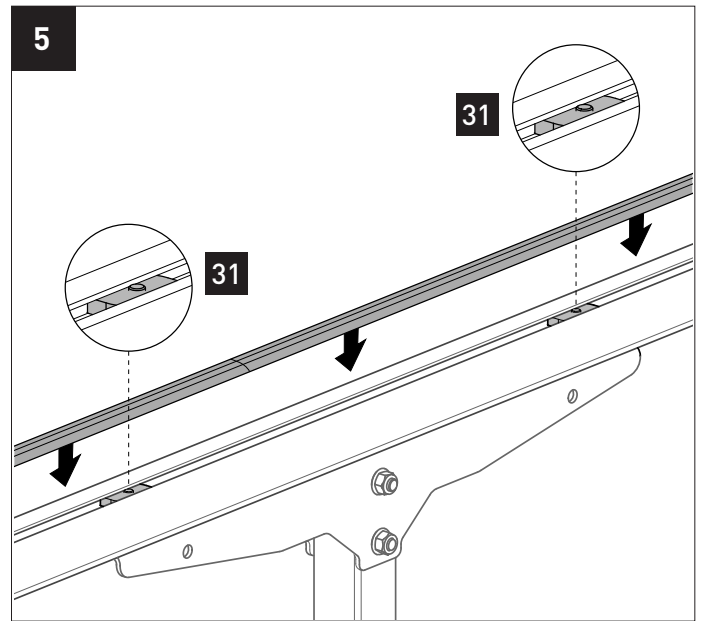
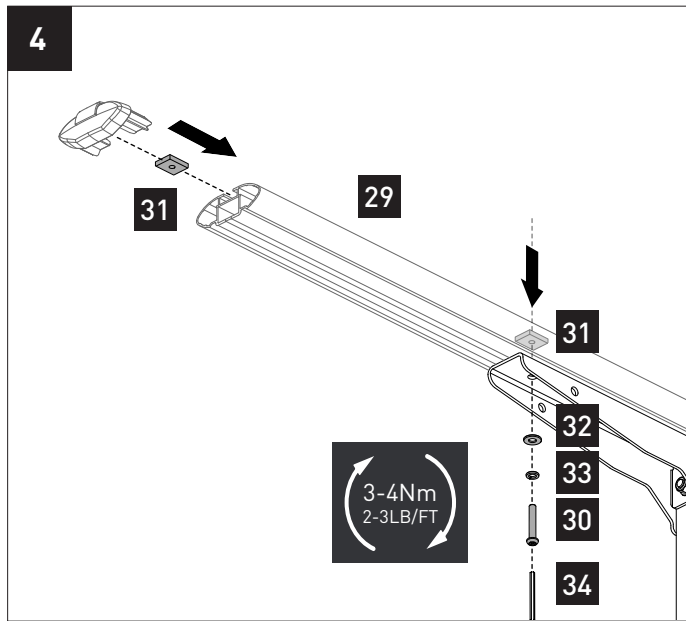
Tools Required (For permanent height setup):

- T1 - Marker
- T2 - Centre punch and Drill
- T3 - 3mm Drill bit
- T4 - 10mm Drill bit
- T5 - Cold Gal and applicator

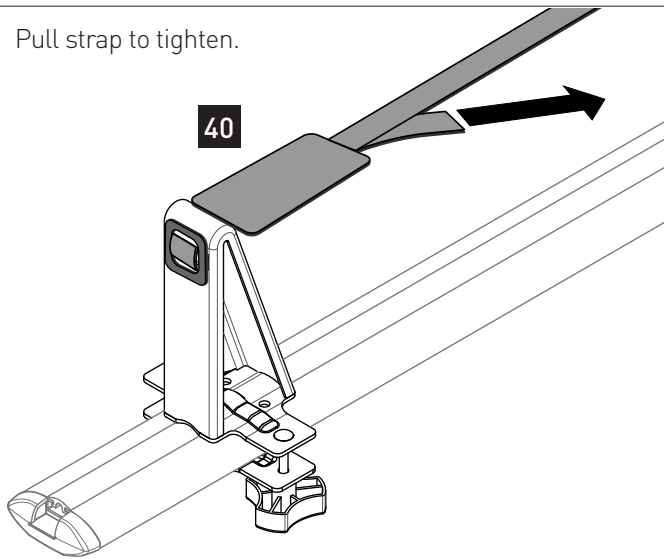




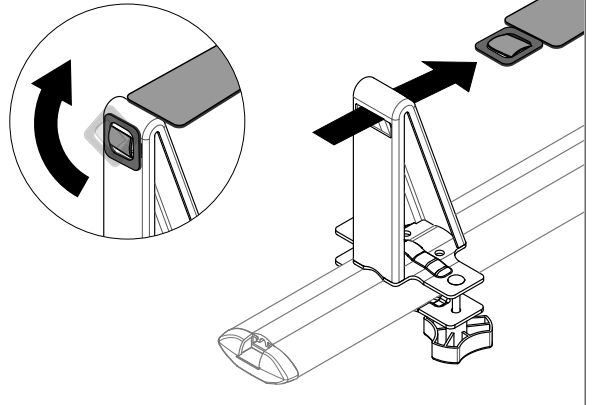




10 Pull strap to tighten.

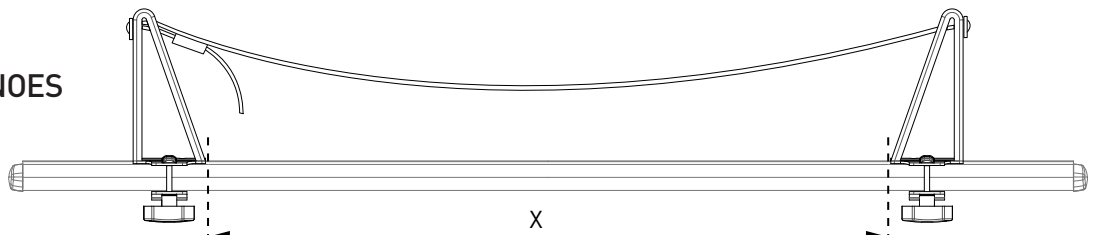


Lift buckle to loosen.
Store strap in vehicle
when not in use.

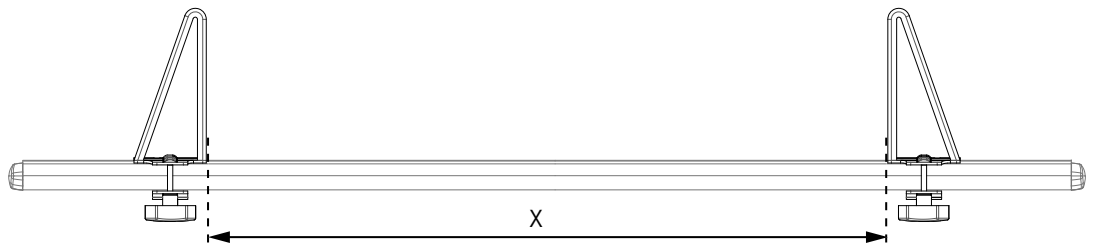


11 Set spacing of supports to suit kayak or load. **Always have load evenly distributed over crossbars.**

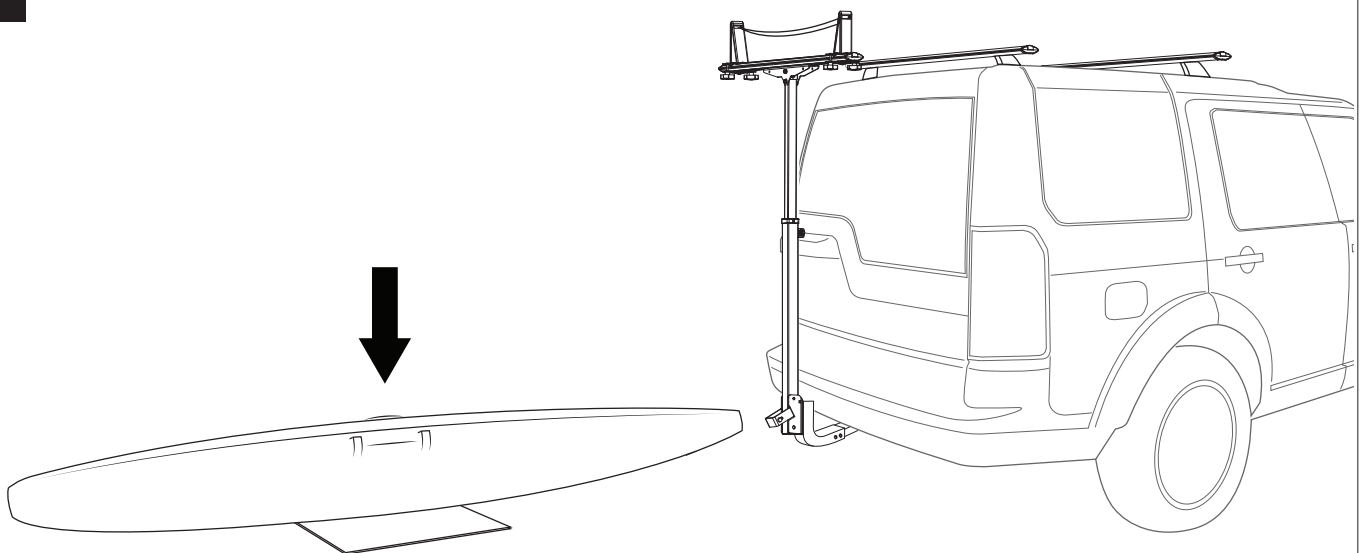
For KAYAKS / CANOES



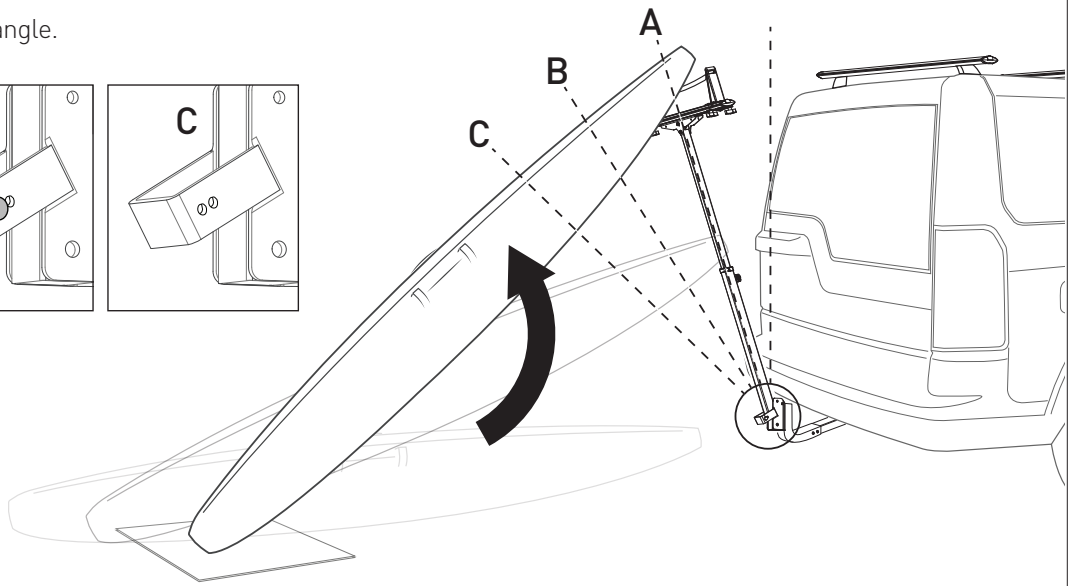
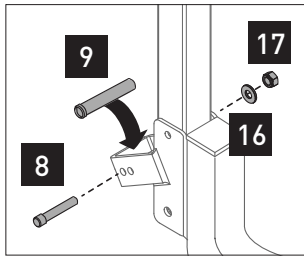
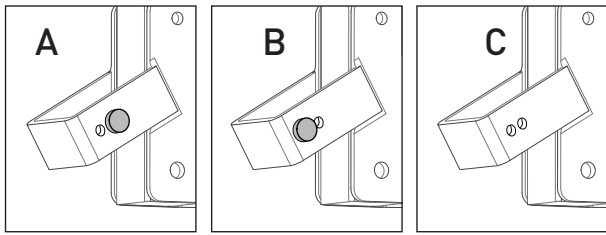
For LOAD STOP



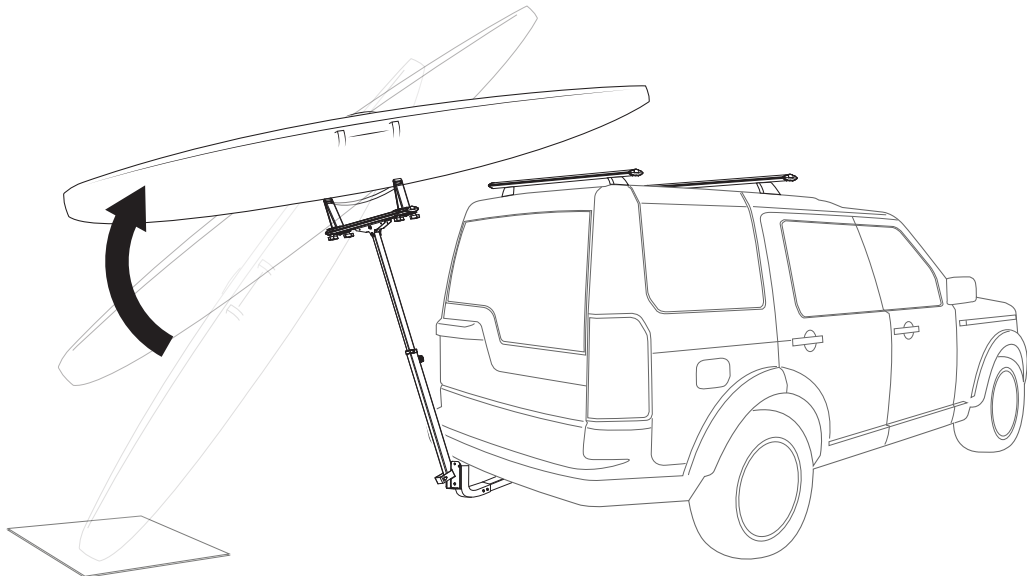
12



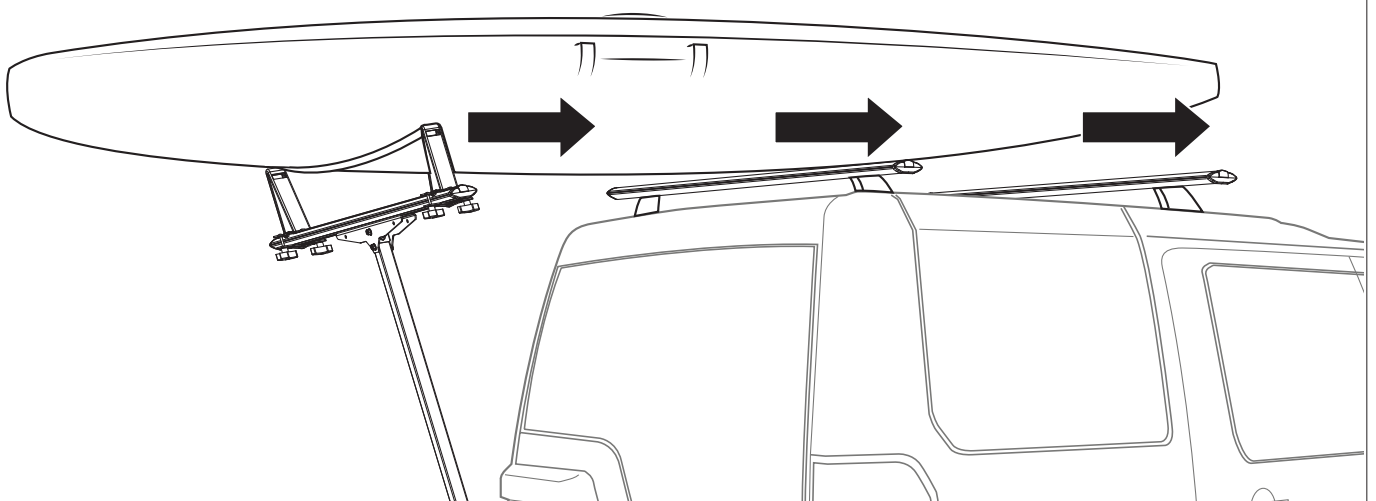
13 Set bolts to preferred angle.



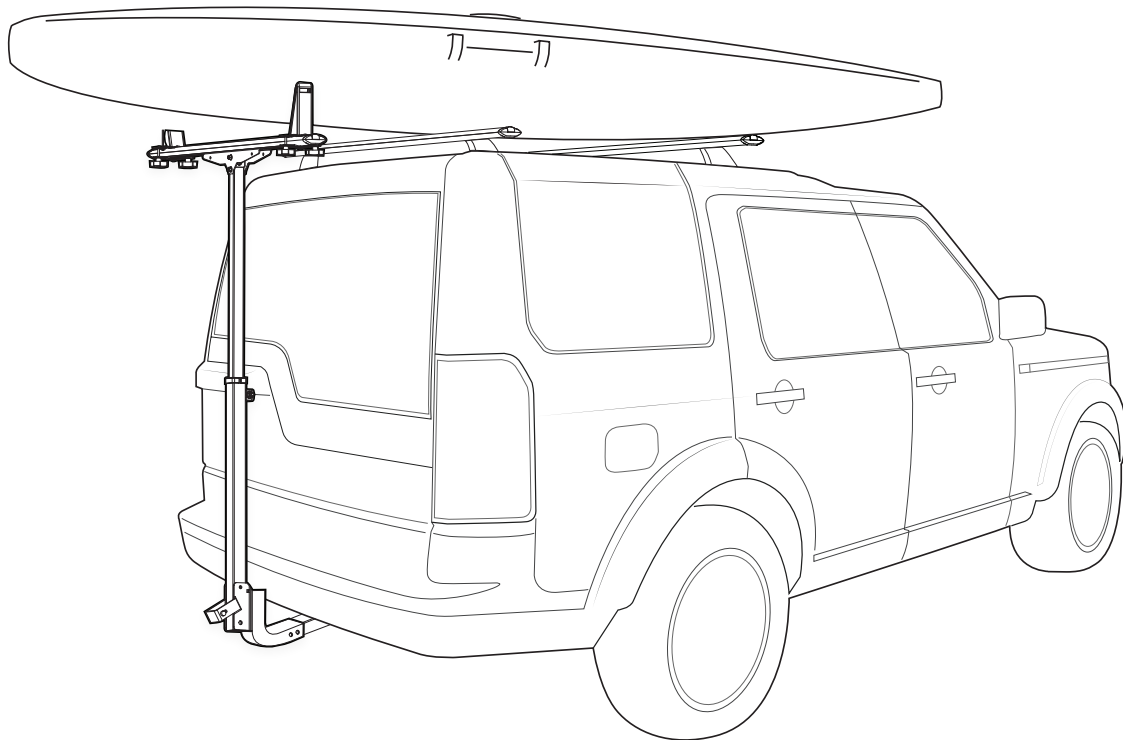
14



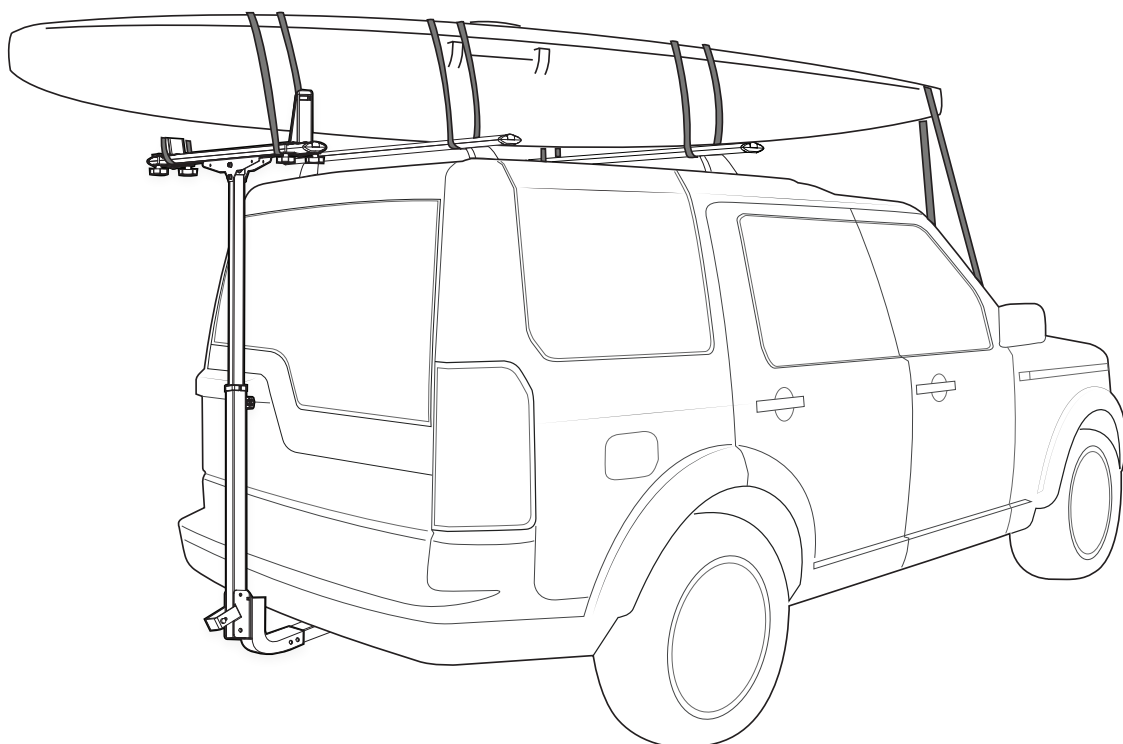
15



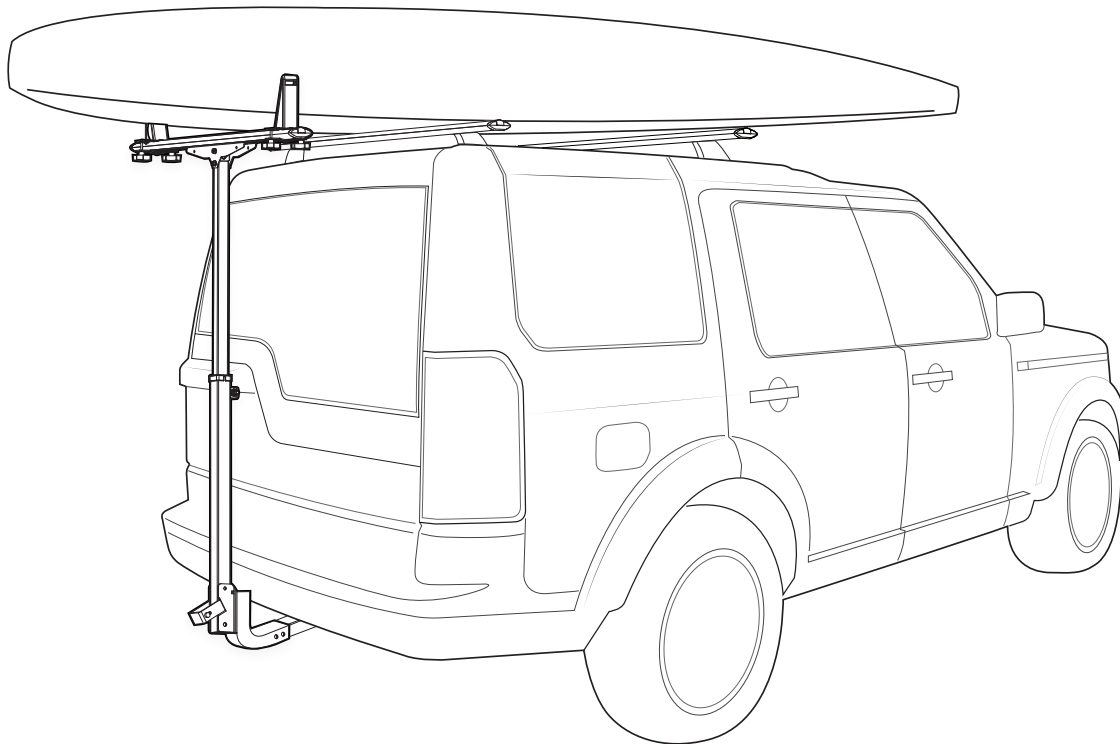
16a



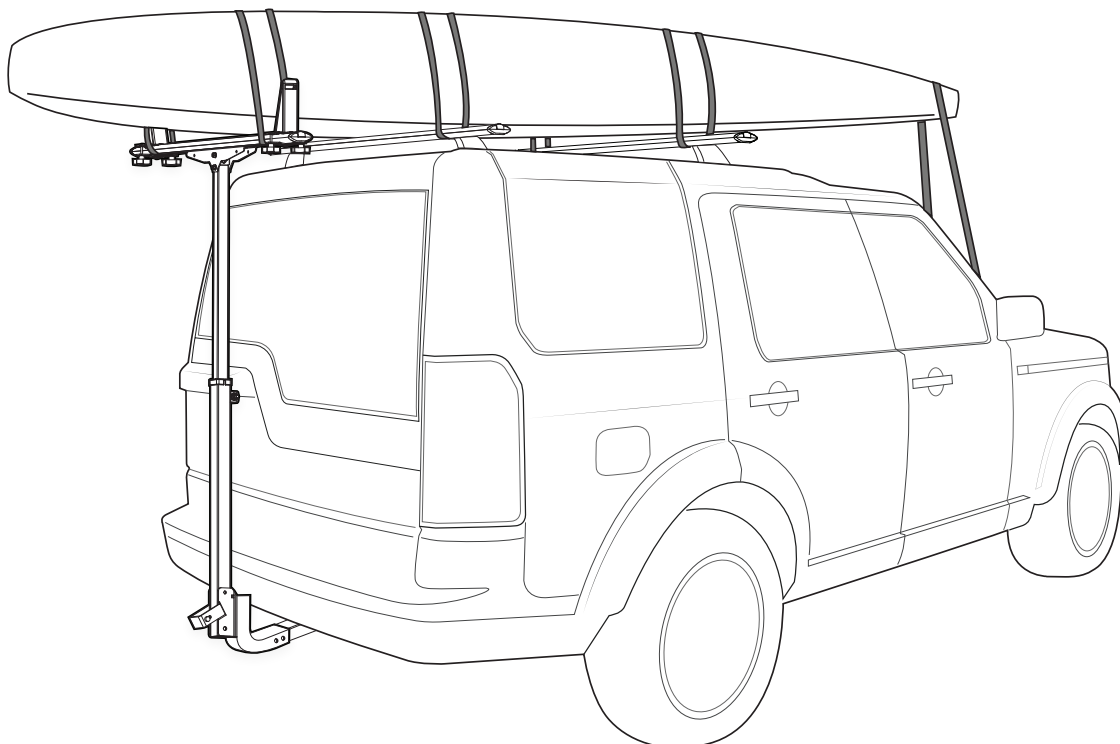
Extra Straps Sold Separately



16b May be loaded with the gunwale facing down



Extra Straps Sold Separately



STEPS 17 - 20 OPTIONAL: For permanent height set up.

