



INSTALLATION INSTRUCTIONS

01932W - TO SUIT TOYOTA CAMRY SEDAN 8/97- 06/2006 & WAGON 5/98-06/2006

PLEASE READ INSTRUCTIONS THROUGH BEFORE YOU BEGIN

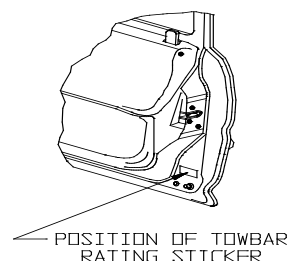
WARNING : 1. Do not drill, cut weld or otherwise modify the towbar.
2. If you are using electric welding on a motor vehicle, always check that the vehicle is not equipped with electronic engine or instrument management equipment. Failure to do so could destroy any onboard computers. If in doubt, check with the vehicle's manufacturer.

Max. Tow Weight: 1200 kg

1. Ensure all hardware items have been included.
2. Remove and discard both left and right hand shipping hooks.
3. Remove muffler from 2 rearmost hangers and remove rear most rubber hanger.
3. Remove spare wheel.
4. Remove any excessive body deadener from mounting points on vehicle.
5. Lift towbar up into position by feeding driver's side up over exhaust pipe.
6. Align holes in towbar angles with shipping hook bolt holes.
7. Fit 4 M10x35 1.25 pitch bolts, flat washers and spring washers.
8. Using two holes in tail plate as a guide drill two 11mm holes into spare wheel compartment.
9. Fit 2 M10x30 bolts and loose plates as shown in diagram.
10. Tighten all bolts to torque listing below.
11. Refit exhaust to forward most rubber hanger. Refit rear most rubber hanger to rod provided on towbar and to exhaust.
11. Refit spare wheel.
12. Towbar rating sticker to be conspicuously located on inside rear end of the driver's door. (See diagram below)

RECOMMENDED ASSEMBLY TORQUE LISTING

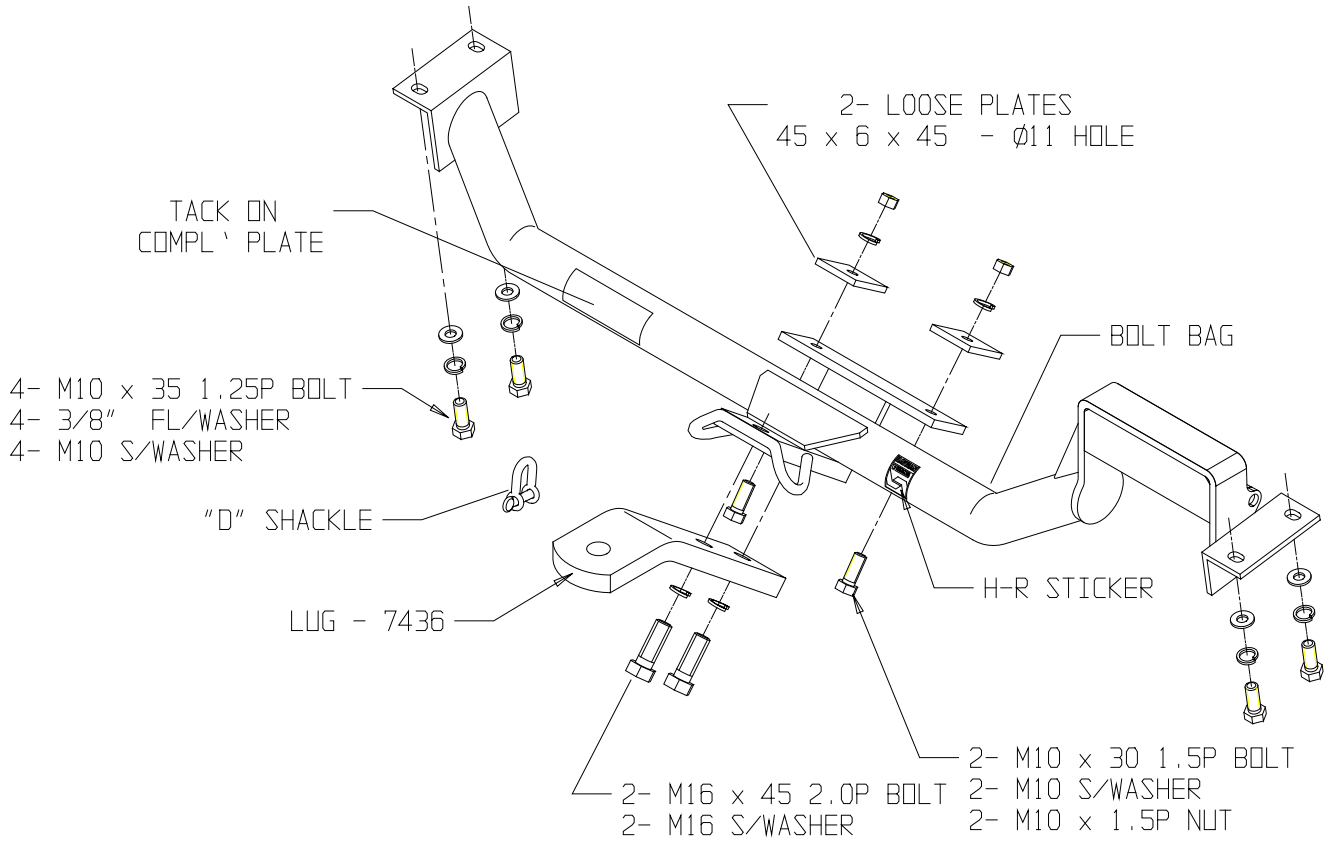
<u>Diameter</u>	<u>Grade 8.8 Bolt</u>
	Nm
M6	9.5
M8	21.7
M10	43.4
M12	77.3
M14	121.0
M16	189.8



FOR TOWING PURPOSES ONLY

For towing capacity details please refer to vehicle owner's manual or to the manufacturer. Overloading can void your warranties.

1932 - TO SUIT TOYOTA CAMRY SEDAN 8/97- 06/2006 & WAGON 5/98- 06/2006



HAYMAN REESE
PART No: 100291-WL
CAMRY AVALON
(2008 and Onwards)

INSTALLATION INSTRUCTIONS

PLEASE ENSURE THAT INSTRUCTIONS ARE UNDERSTOOD PRIOR TO FITMENT

Trailer Harness Installation Instructions

CAMRY / AVALON
(2008 and Onwards)
Part No: 100291-WL

Tail Harness Length Required: 1800mm
RPA Override Switch Part No: 04848 (If Fitted)

Trailer Harness Installation time: Approx. 30 Mins

Issue Date 01-08-11

Page 1

Part No: 100291-WL

Hayman Reese (Cequent)
PO Box 4050, Dandenong South VIC 3164
Phone 1800 812 017 Email info@haymanreese.com.au

www.haymanreese.com.au



HAYMAN REESE
PART No: 100291-WL
CAMRY AVALON
(2008 and Onwards)

INSTALLATION INSTRUCTIONS

PLEASE ENSURE THAT INSTRUCTIONS ARE UNDERSTOOD PRIOR TO FITMENT

AVALON / CAMRY

1. Remove the luggage compartment centre trim, by removing the two trim clips.
2. Remove the LHS luggage compartment trim by removing the five trim clips.
3. Remove the Ø31mm grommet in the luggage compartment floor at LHS rear corner.

Warning: If vehicle is fitted with a moon roof, continue with step 4. For all other vehicles, skip to step 5.

4. Next to the Ø30mm roof drain pipe, drill a Ø31mm using a hole saw.
5. File any rough or sharp edges and spray on rust inhibitor.
6. Mount trailer socket to towbar mounting bracket using M4 fasteners (Not supplied).
7. Route the tail harness (tail length 1800) through the previously drilled out grommet hole.
8. Ensure the tail harness grommet is seated correctly and secured in place using cable ties (Not supplied)
9. Locate the vehicle 6 way female break out connector and connect trailer patch (100291-WL) then patch the 8-way female connector to 8-way male connector.
10. Test the trailer harness function using a light board or multimeter.
11. Secure all harness using cable ties (Not supplied).
12. Refit all removed parts and secure all fasteners, ensuring there are no squeaks and rattles.
13. Place fitting instructions in glove box after fitment.

Issue Date 01-08-11

Page 2

Part No: 100291-WL

Hayman Reese (Cequent)
PO Box 4050, Dandenong South VIC 3164
Phone 1800 812 017 Email info@haymanreese.com.au

www.haymanreese.com.au

